

# SML

## Point Illuminated Piezo Switch



## Point Illuminated

### Description

Touch Metal Piezo Switch, 22mm mounting diameter, PG-16 thread, 28mm flat actuation area, point illuminated with single or bi-color LEDs (5, 12 or 24V). Metal housings are milled, one piece construction and mounted with a nut. Aluminum housings are available in Silver, Red, Black, Green, Gold or Blue anodization.

### Approvals

- MIL-STD - 810C, 202E, 461B, 462
- CE - EVERSITCH products comply with Directives 2006/95/EEC for low voltage components.
- IP Rating – IP69K Compatible with IEC 60529; EN 60529
- EMC: Directive 2004/108/EWG

### Characteristics

- Proven Reliability: Tested for 50,000,000 cycles
- Weatherproof: Used in harshest outdoor conditions
- Touch Activated: Operable with gloves, tools, etc.
- Sterilizable: Wash down proof up to 100 BAR
- Vandal Resistant: For use in high traffic and abusive areas
- Zero power required for switch operation
- Mimics a dry contact switch closure
- Eliminates RFI, EMI and ESD issues
- Five year warranty

### Customized Options

A wide range of design options are available: connectors, switch function (prolonged, toggle, N.C., continuous, timer, slide and programmable types), current rating (up to 10A), graphics and housing dimensions and materials. We offer an embedded CPU for data output compatible with various communication protocols. Temperature compensated and thermal shock proof versions available as well.

### References

SML2, SML3

## TECHNICAL DATA

### Electrical Data

Switch Function	N.O. Momentary
Switch Voltage	0-24 AC/DC
Switch Current	0.2A std (0.5A option)
Rated Breaking Capacity	1W
Operating Cycles	>50,000,000
Switch Resistance OFF	> 5 MΩ
Switch Resistance ON	< 20 Ω
Capacity	30 pF
Pulse Duration	125-300mS
Contact Configuration	Free polarity

### Mechanical Data

Housing Materials	Aluminum 6061 T651 or Stainless Steel (303/304)
Actuating Force	3-5 Newton
LED Diameter	3mm polycarbonate
Connection	4 wires (12" 24AWG std)
Actuating Travel	0.002 mm
Shock Protection	IK 06
Fastening Torque	2.5 Nm

### Environmental Data

Operating Temperature	-40 to +85 °C
Storage Temperature	-40 to +125 °C
IP-Protection	IP69K (front and back)

# Illuminated Switches --- Types SBR and SML

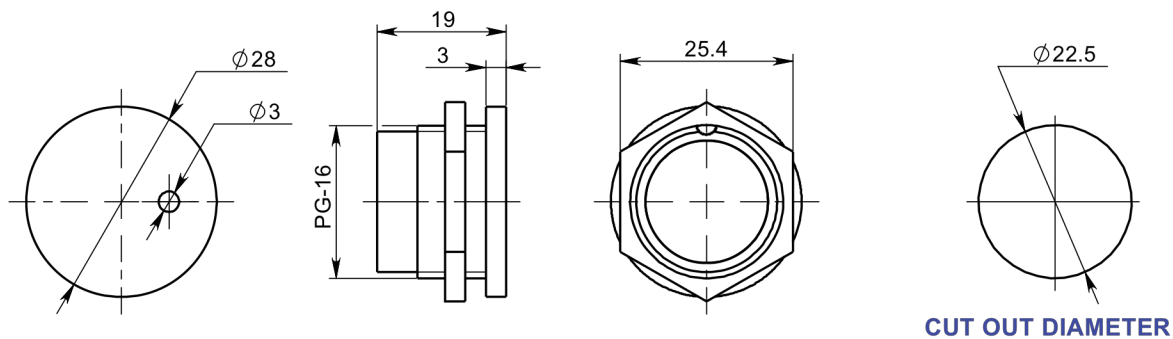
## Momentary types

	Illumination	Face	Function	Voltage	Connection	LED Color	LED Voltage	Material	Color																																																																																					
S																																																																																														
<table style="width: 100%; border-collapse: collapse;"> <tr> <td style="width: 15px; vertical-align: top;"><b>N</b></td> <td>Natural (only option for Steel)</td> </tr> <tr> <td style="width: 15px; vertical-align: top;"><b>B</b></td> <td>Black</td> </tr> <tr> <td style="width: 15px; vertical-align: top;"><b>R</b></td> <td>Red</td> </tr> <tr> <td style="width: 15px; vertical-align: top;"><b>G</b></td> <td>Green</td> </tr> <tr> <td style="width: 15px; vertical-align: top;"><b>O</b></td> <td>Gold</td> </tr> <tr> <td style="width: 15px; vertical-align: top;"><b>L</b></td> <td>Blue</td> </tr> <tr> <td colspan="2" style="background-color: #000080; color: white; padding: 2px;"><b>Anodize Color</b></td> </tr> <tr> <td style="width: 15px; vertical-align: top;"><b>1</b></td> <td>Aluminum</td> </tr> <tr> <td style="width: 15px; vertical-align: top;"><b>2</b></td> <td>Stainless Steel (303/304)</td> </tr> <tr> <td colspan="2" style="background-color: #000080; color: white; padding: 2px;"><b>Housing material</b></td> </tr> <tr> <td colspan="2" style="background-color: #e0ffff; padding: 2px;"><b>O5</b> 5 Volt LED - SML type only</td> </tr> <tr> <td style="width: 15px; vertical-align: top;"><b>12</b></td> <td>12 Volt LED</td> </tr> <tr> <td style="width: 15px; vertical-align: top;"><b>24</b></td> <td>24 Volt LED</td> </tr> <tr> <td colspan="2" style="background-color: #000080; color: white; padding: 2px;"><b>LED Voltage</b></td> </tr> <tr> <td style="width: 15px; vertical-align: top;"><b>1</b></td> <td>Red</td> </tr> <tr> <td style="width: 15px; vertical-align: top;"><b>2</b></td> <td>Green</td> </tr> <tr> <td style="width: 15px; vertical-align: top;"><b>3</b></td> <td>Amber</td> </tr> <tr> <td style="width: 15px; vertical-align: top;"><b>4</b></td> <td>Red/Green</td> </tr> <tr> <td style="width: 15px; vertical-align: top;"><b>5</b></td> <td>Blue</td> </tr> <tr> <td style="width: 15px; vertical-align: top;"><b>6</b></td> <td>White</td> </tr> <tr> <td style="width: 15px; vertical-align: top;"><b>8</b></td> <td>R-G-B (Red, green blue: SBR ring Illum only)</td> </tr> <tr> <td colspan="2" style="background-color: #000080; color: white; padding: 2px;"><b>LED Color</b></td> </tr> <tr> <td style="width: 15px; vertical-align: top;"><b>P</b></td> <td>Pins</td> </tr> <tr> <td style="width: 15px; vertical-align: top;"><b>W</b></td> <td>Wires 12" (30cm) standard, 22 gauge</td> </tr> <tr> <td style="width: 15px; vertical-align: top;"><b>C</b></td> <td>Cable 100cm standard</td> </tr> <tr> <td colspan="2" style="background-color: #000080; color: white; padding: 2px;"><b>Connection</b></td> </tr> <tr> <td style="width: 15px; vertical-align: top;"><b>A</b></td> <td>0-24V 0.2A (0.125A N. Closed)</td> </tr> <tr> <td style="width: 15px; vertical-align: top;"><b>B</b></td> <td>0-24V 0.5A</td> </tr> <tr> <td colspan="2" style="background-color: #000080; color: white; padding: 2px;"><b>Voltage and Current</b></td> </tr> <tr> <td style="width: 15px; vertical-align: top;"><b>A</b></td> <td>N.O. Momentary</td> </tr> <tr> <td style="width: 15px; vertical-align: top;"><b>B</b></td> <td>N.O 0.5A Momentary</td> </tr> <tr> <td style="width: 15px; vertical-align: top;"><b>C</b></td> <td>6 sec prolonged contact (N.O.)</td> </tr> <tr> <td style="width: 15px; vertical-align: top;"><b>E</b></td> <td>N.Closed (0.125A only)</td> </tr> <tr> <td colspan="2" style="background-color: #000080; color: white; padding: 2px;"><b>Switch Function</b></td> </tr> <tr> <td style="width: 15px; vertical-align: top;"><b>1</b></td> <td>Flat face - 22mm dia. mounting hole</td> </tr> <tr> <td style="width: 15px; vertical-align: top;"><b>2</b></td> <td>Recessed face - 22mm dia. mounting hole</td> </tr> <tr> <td style="width: 15px; vertical-align: top;"><b>3</b></td> <td>SBR Recessed face - 27mm dia. mounting hole</td> </tr> <tr> <td style="width: 15px; vertical-align: top;"><b>3</b></td> <td>SML Flat face - 28.5mm dia. mounting hole</td> </tr> <tr> <td style="width: 15px; vertical-align: top;"><b>4</b></td> <td>SBR Flat face - 27mm dia. mounting hole</td> </tr> <tr> <td colspan="2" style="background-color: #000080; color: white; padding: 2px;"><b>Face Style and Mounting Diameter</b></td> </tr> <tr> <td style="width: 15px; vertical-align: top;"><b>B R</b></td> <td>Ring Illuminated</td> </tr> <tr> <td style="width: 15px; vertical-align: top;"><b>M L</b></td> <td>Point Illuminated</td> </tr> <tr> <td colspan="2" style="background-color: #000080; color: white; padding: 2px;"><b>Type</b></td> </tr> </table>									<b>N</b>	Natural (only option for Steel)	<b>B</b>	Black	<b>R</b>	Red	<b>G</b>	Green	<b>O</b>	Gold	<b>L</b>	Blue	<b>Anodize Color</b>		<b>1</b>	Aluminum	<b>2</b>	Stainless Steel (303/304)	<b>Housing material</b>		<b>O5</b> 5 Volt LED - SML type only		<b>12</b>	12 Volt LED	<b>24</b>	24 Volt LED	<b>LED Voltage</b>		<b>1</b>	Red	<b>2</b>	Green	<b>3</b>	Amber	<b>4</b>	Red/Green	<b>5</b>	Blue	<b>6</b>	White	<b>8</b>	R-G-B (Red, green blue: SBR ring Illum only)	<b>LED Color</b>		<b>P</b>	Pins	<b>W</b>	Wires 12" (30cm) standard, 22 gauge	<b>C</b>	Cable 100cm standard	<b>Connection</b>		<b>A</b>	0-24V 0.2A (0.125A N. Closed)	<b>B</b>	0-24V 0.5A	<b>Voltage and Current</b>		<b>A</b>	N.O. Momentary	<b>B</b>	N.O 0.5A Momentary	<b>C</b>	6 sec prolonged contact (N.O.)	<b>E</b>	N.Closed (0.125A only)	<b>Switch Function</b>		<b>1</b>	Flat face - 22mm dia. mounting hole	<b>2</b>	Recessed face - 22mm dia. mounting hole	<b>3</b>	SBR Recessed face - 27mm dia. mounting hole	<b>3</b>	SML Flat face - 28.5mm dia. mounting hole	<b>4</b>	SBR Flat face - 27mm dia. mounting hole	<b>Face Style and Mounting Diameter</b>		<b>B R</b>	Ring Illuminated	<b>M L</b>	Point Illuminated	<b>Type</b>	
<b>N</b>	Natural (only option for Steel)																																																																																													
<b>B</b>	Black																																																																																													
<b>R</b>	Red																																																																																													
<b>G</b>	Green																																																																																													
<b>O</b>	Gold																																																																																													
<b>L</b>	Blue																																																																																													
<b>Anodize Color</b>																																																																																														
<b>1</b>	Aluminum																																																																																													
<b>2</b>	Stainless Steel (303/304)																																																																																													
<b>Housing material</b>																																																																																														
<b>O5</b> 5 Volt LED - SML type only																																																																																														
<b>12</b>	12 Volt LED																																																																																													
<b>24</b>	24 Volt LED																																																																																													
<b>LED Voltage</b>																																																																																														
<b>1</b>	Red																																																																																													
<b>2</b>	Green																																																																																													
<b>3</b>	Amber																																																																																													
<b>4</b>	Red/Green																																																																																													
<b>5</b>	Blue																																																																																													
<b>6</b>	White																																																																																													
<b>8</b>	R-G-B (Red, green blue: SBR ring Illum only)																																																																																													
<b>LED Color</b>																																																																																														
<b>P</b>	Pins																																																																																													
<b>W</b>	Wires 12" (30cm) standard, 22 gauge																																																																																													
<b>C</b>	Cable 100cm standard																																																																																													
<b>Connection</b>																																																																																														
<b>A</b>	0-24V 0.2A (0.125A N. Closed)																																																																																													
<b>B</b>	0-24V 0.5A																																																																																													
<b>Voltage and Current</b>																																																																																														
<b>A</b>	N.O. Momentary																																																																																													
<b>B</b>	N.O 0.5A Momentary																																																																																													
<b>C</b>	6 sec prolonged contact (N.O.)																																																																																													
<b>E</b>	N.Closed (0.125A only)																																																																																													
<b>Switch Function</b>																																																																																														
<b>1</b>	Flat face - 22mm dia. mounting hole																																																																																													
<b>2</b>	Recessed face - 22mm dia. mounting hole																																																																																													
<b>3</b>	SBR Recessed face - 27mm dia. mounting hole																																																																																													
<b>3</b>	SML Flat face - 28.5mm dia. mounting hole																																																																																													
<b>4</b>	SBR Flat face - 27mm dia. mounting hole																																																																																													
<b>Face Style and Mounting Diameter</b>																																																																																														
<b>B R</b>	Ring Illuminated																																																																																													
<b>M L</b>	Point Illuminated																																																																																													
<b>Type</b>																																																																																														

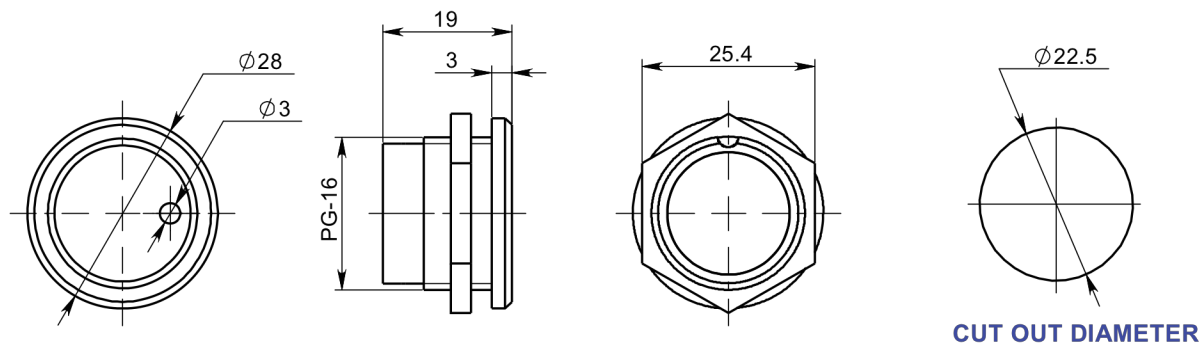
EXAMPLE: SBR1AAW8242N is a Ring Illuminated, 22mm dia. switch with a Flat Face, N.O., Momentary function, with RGB 24V LED in a Stainless Steel, Natural color Housing.

# EVERSWITCH POINT ILLUMINATED PIEZO SWITCHES

SML1



SML2



SML3

