

Technical data

Mechanical design

Switch system One double break snap-action
 Switch mode 1 ~ 4 poles
 Contact material Soldering type : Silver
 Socket type : Pin with golden plating

Electric Rating

AC 250V / AC 125V 5A / 8A
 DC 250V / DC 24V 0.2A / 6A

Electrical life time

Alternate action 5A/250V AC > 5.0 x 10⁴
 4A/250V AC > 1.2 x 10⁵
 2A/250V AC > 4.0 x 10⁵
 1A/250V AC > 8.0 x 10⁵

Momentary action

5A/250V AC > 2.5 x 10⁴
 4A/250V AC > 6.0 x 10⁴
 2A/250V AC > 2.0 x 10⁵
 1A/250V AC > 4.0 x 10⁵

Mechanical life time

>2 million operations

Other specifications

Body material Temperature resistant thermoplastic
 Aluminium anodized

Operating travel 3.0 mm
 Actuating force 2-5N depending
 Initial contact resistance <10m Ohm current 1A AC
 according to IEC 341-1 test I
 silver contact
 <15m Ohm 20mV
 according to IEC 341-1 test II
 gold contact

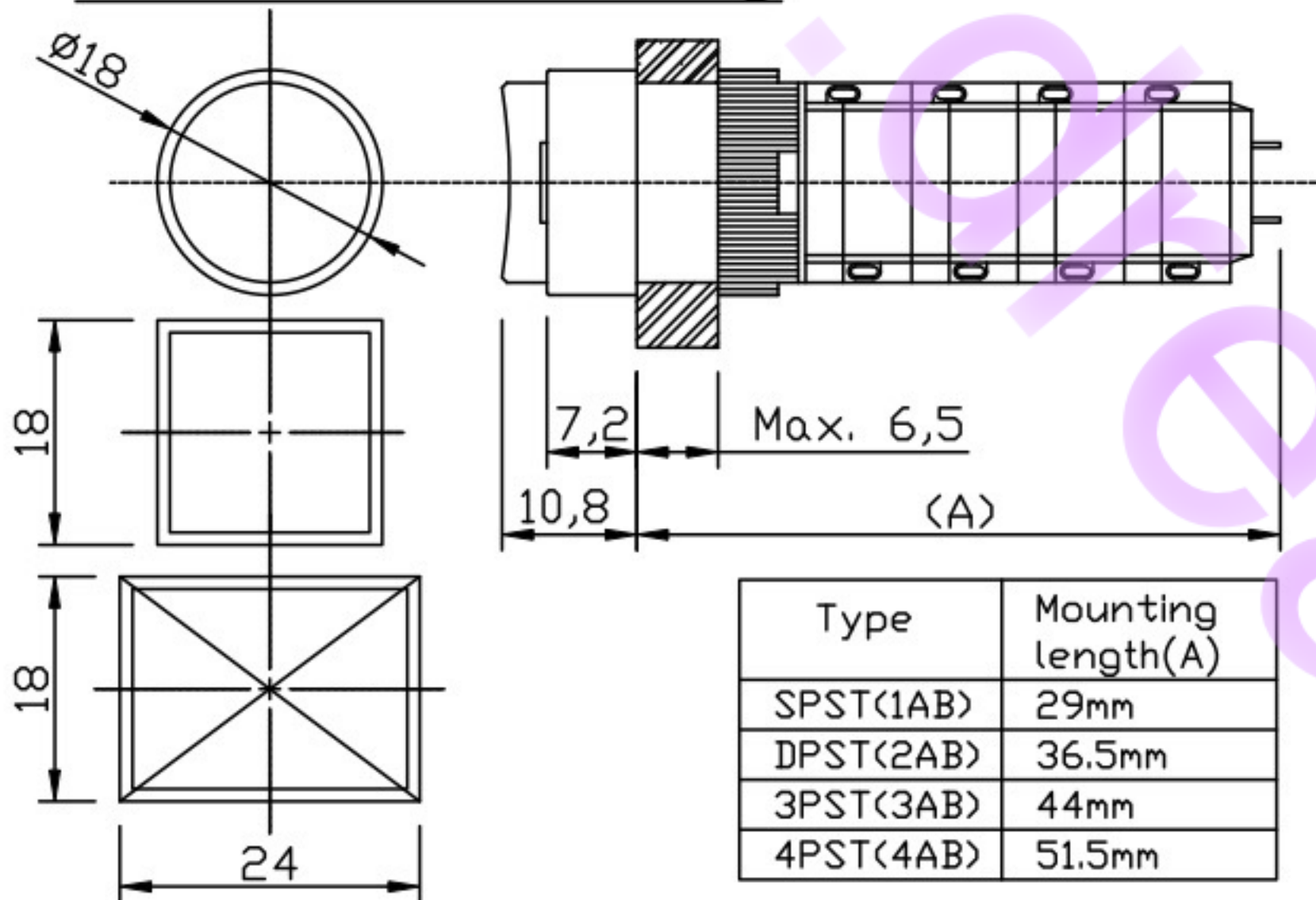
Terminal

wire 2 x 0.8mm
 cable 0.75mm² max.
 Max torque of net maximum 15kgfcm
 Max. insulation voltage 2000V, 60Hz, 1 min.
 between all terminals and ground

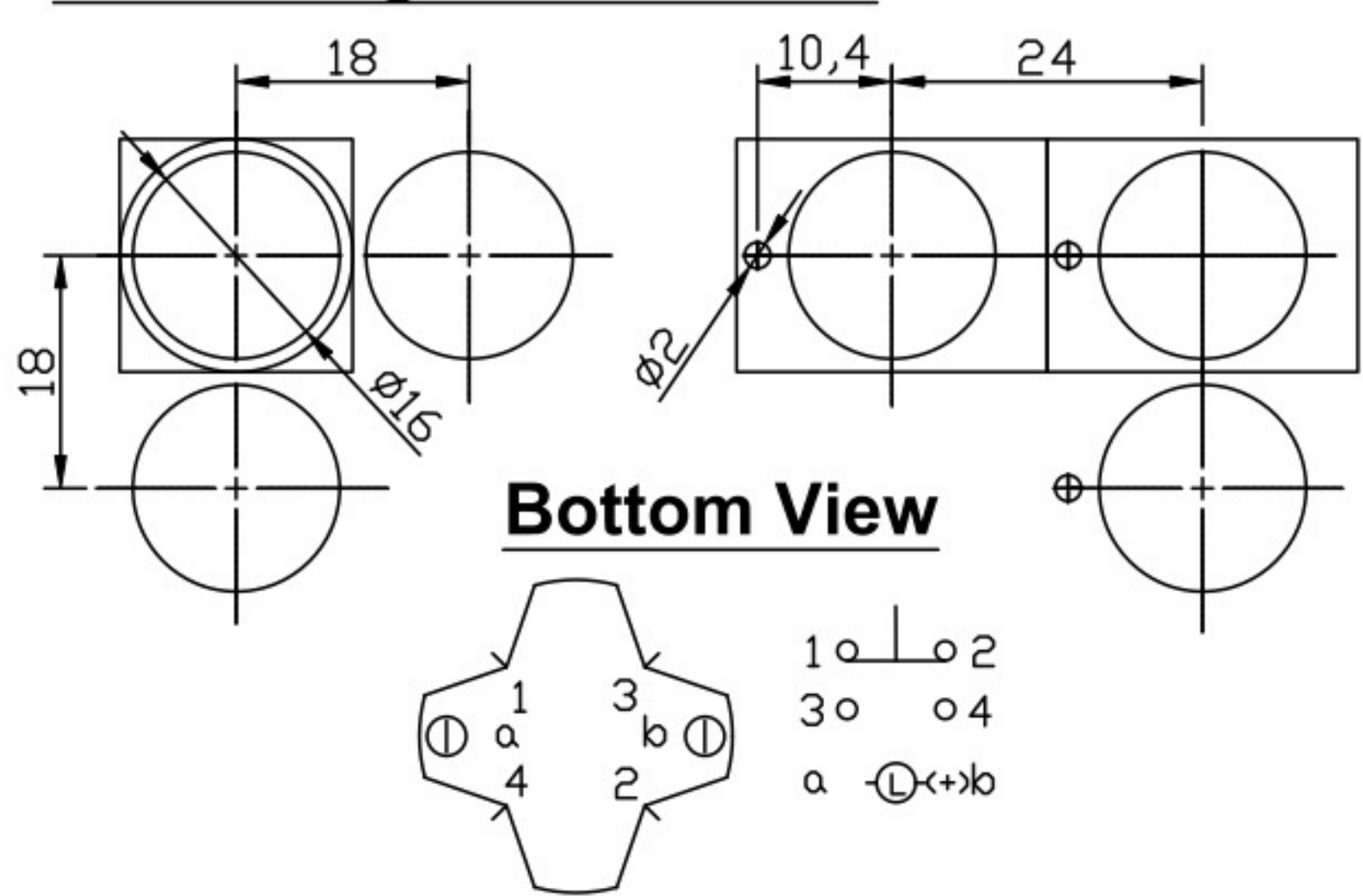
Acceleration >10g in all 3 planes
 Vibration resistance IEC 68-2-6 test
 Soldering heat resistance 280°C 4 ses
 Insulation resistance IEC 341-1

Panel thickness >1000 megaohms 500V DC
 8mm max.
 Degree of protection IP 40
 Storage temperature -40°C to +85°C
 Operating temperature -25°C to +55°C with lamp
 -25°C to +70°C without lamp

Technical Drawing



Mounting Dimension



ORDERING CODE

D16 L [] [] 1- [] AB

ACTION	HEAD	CONTACTS
A : Maintained M : Momentary	R : Round S : Square T : Rect -	1 : 1A1B 2 : 2A2B 3 : 3A3B 4 : 4A4B