

# Technical data



## Mechanical design

Switch system: One double break snap-action  
 Switch mode: 1 ~ 4 poles  
 Contact material: Soldering type : Silver  
 Socket type : Pin with golden plating

## Electric Rating

AC 250V / AC 125V: 5A / 8A  
 DC 250V / DC 24V: 0.2A / 6A

## Electrical life time

Alternate action:  
 5A/250V AC > 5.0 x 10<sup>4</sup>  
 4A/250V AC > 1.2 x 10<sup>5</sup>  
 2A/250V AC > 4.0 x 10<sup>5</sup>  
 1A/250V AC > 8.0 x 10<sup>5</sup>

## Momentary action

5A/250V AC > 2.5 x 10<sup>4</sup>  
 4A/250V AC > 6.0 x 10<sup>4</sup>  
 2A/250V AC > 2.0 x 10<sup>5</sup>  
 1A/250V AC > 4.0 x 10<sup>5</sup>

## Mechanical life time

>2 million operations

## Other specifications

Body material: Temperature resistant thermoplastic  
 Aluminium anodized  
 Operating travel: 3.0 mm  
 Actuating force: 2-5N depending  
 Initial contact resistance: <10m Ohm current 1A AC according to IEC 341-1 test I silver contact  
 <15m Ohm 20mV according to IEC 341-1 test II gold contact

## Terminal

wire 2 x 0.8mm  
 cable 0.75mm<sup>2</sup> max.

## Max torque of net

maximum 15kgfcm

## Max. insulation voltage

2000V, 60Hz, 1 min.  
 between all terminals and ground

## Acceleration

>10g in all 3 planes

## Vibration resistance

IEC 68-2-6 test

## Soldering heat resistance

280°C 4 ses

## Insulation resistance

IEC 341-1  
 >1000 megaohms 500V DC

## Panel thickness

8mm max.

## Degree of protection

IP 40

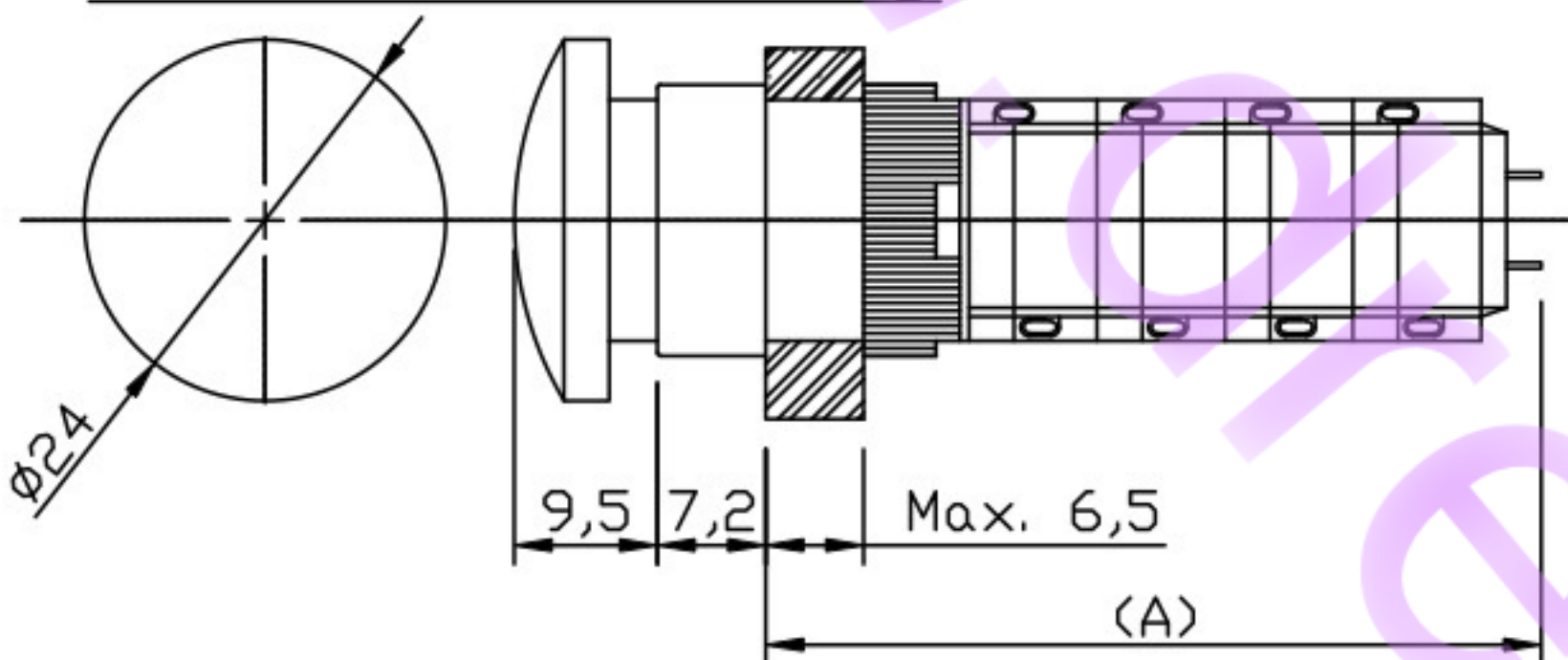
## Storage temperature

-40°C to +85°C

## Operating temperature

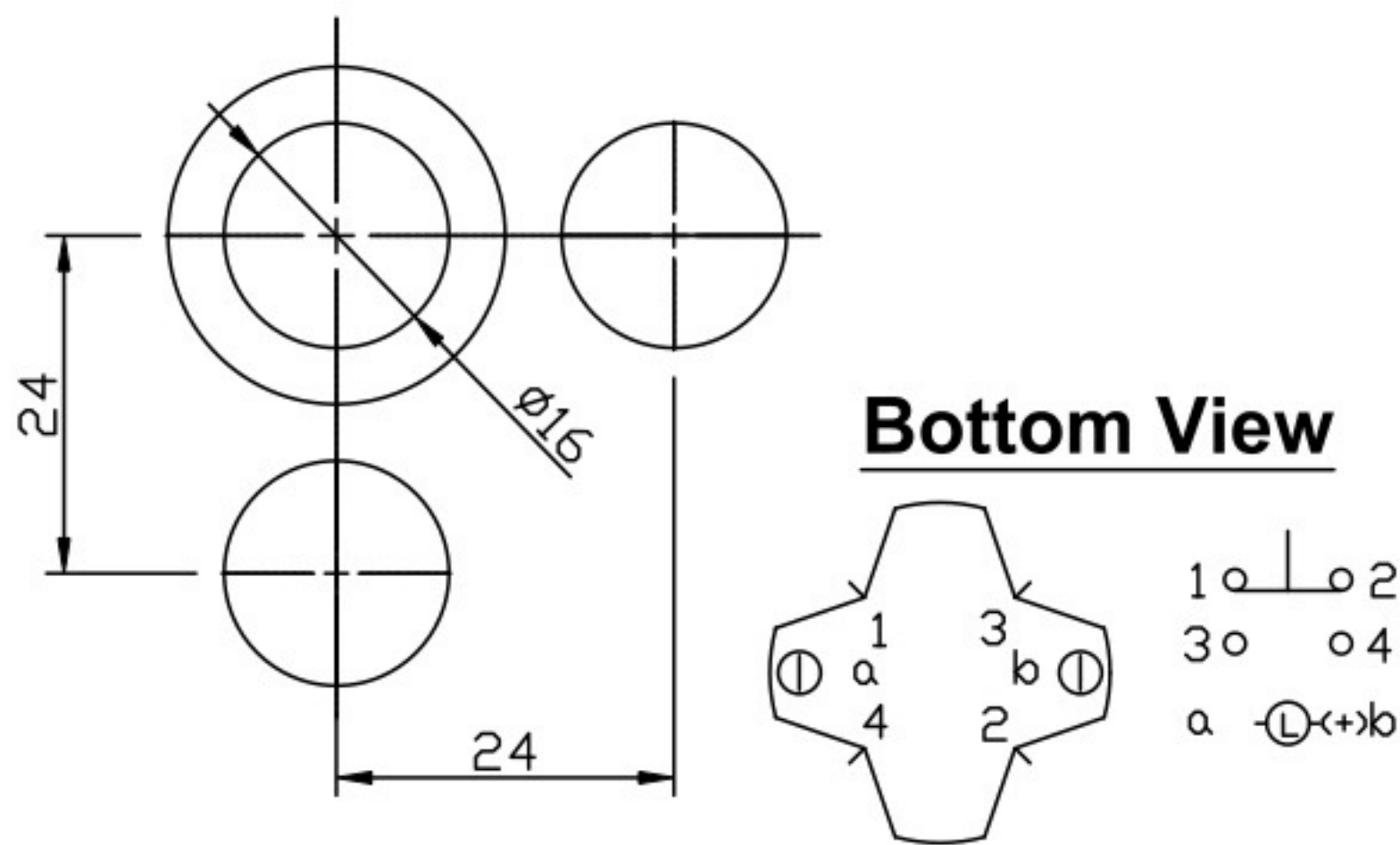
-25°C to +55°C with lamp  
 -25°C to +70°C without lamp

## Technical Drawing



Type	Mounting length(A)
SPST(1AB)	29mm
DPST(2AB)	36.5mm
3PST(3AB)	44mm
4PST(4AB)	51.5mm

## Mounting Dimension



## ORDERING CODE

D16 L  R3-  AB

ACTION	CONTACTS
A : Maintained	1 : 1A1B
M : Momentary	2 : 2A2B
	3 : 3A3B
	4 : 4A4B