

# Technical data



## Mechanical design

Switch system: One double break snap-action  
 Switch mode: 1 ~ 4 poles  
 Contact material: Soldering type : Silver  
 Socket type : Pin with golden plating

## Electric Rating

AC 250V / AC 125V: 5A / 8A  
 DC 250V / DC 24V: 0.2A / 6A

## Electrical life time

Alternate action:  
 5A/250V AC > 5.0 x 10<sup>4</sup>  
 4A/250V AC > 1.2 x 10<sup>5</sup>  
 2A/250V AC > 4.0 x 10<sup>5</sup>  
 1A/250V AC > 8.0 x 10<sup>5</sup>

## Momentary action

5A/250V AC > 2.5 x 10<sup>4</sup>  
 4A/250V AC > 6.0 x 10<sup>4</sup>  
 2A/250V AC > 2.0 x 10<sup>5</sup>  
 1A/250V AC > 4.0 x 10<sup>5</sup>

## Mechanical life time

>2 million operations

## Other specifications

Body material: Temperature resistant thermoplastic  
 Aluminium anodized

Operating travel: 3.0 mm  
 Actuating force: 2-5N depending  
 Initial contact resistance: <10m Ohm current 1A AC according to IEC 341-1 test I silver contact  
 <15m Ohm 20mV according to IEC 341-1 test II gold contact

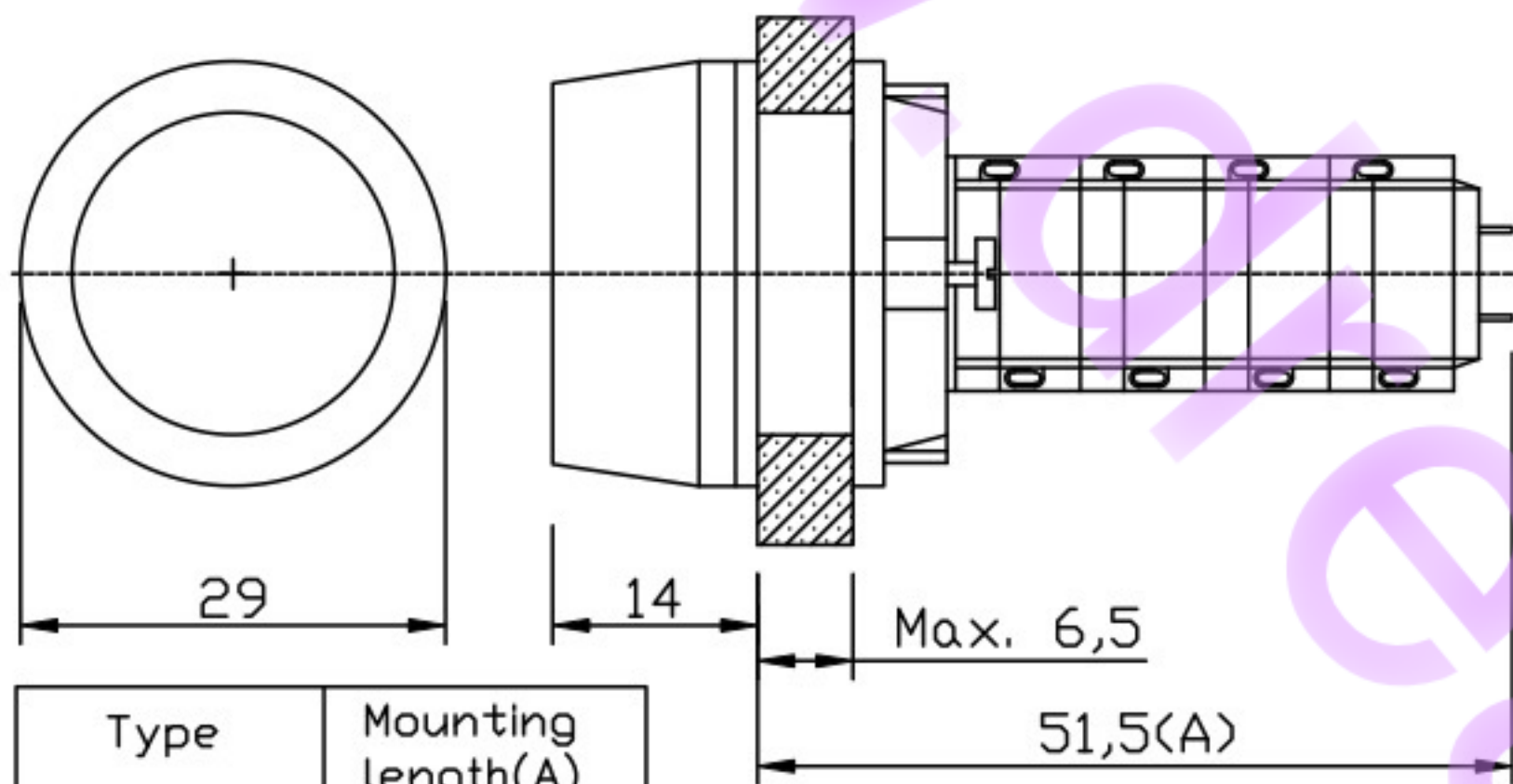
## Terminal

wire 2 x 0.8mm  
 cable 0.75mm<sup>2</sup> max.  
 Max torque of net: maximum 15kgfcm  
 Max. insulation voltage: 2000V, 60Hz, 1 min. between all terminals and ground

Acceleration: >10g in all 3 planes  
 Vibration resistance: IEC 68-2-6 test  
 Soldering heat resistance: 280°C 4 ses  
 Insulation resistance: IEC 341-1

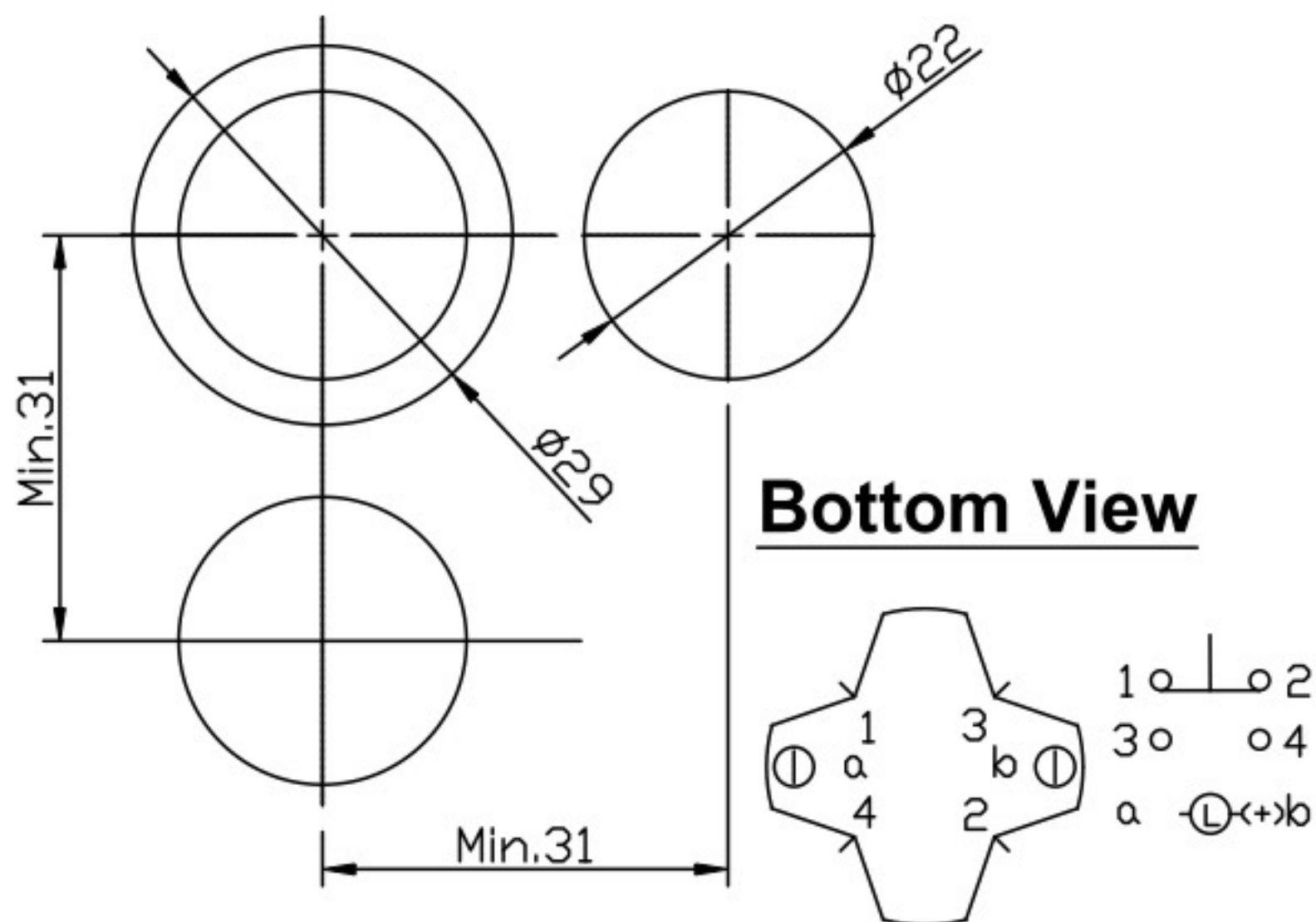
>1000 megaohms 500V DC  
 Panel thickness: 8mm max.  
 Degree of protection: IP 40  
 Storage temperature: -40°C to +85°C  
 Operating temperature: -25°C to +55°C with lamp  
 -25°C to +70°C without lamp

## Technical Drawing



Type	Mounting length(A)
SPST(1AB)	29mm
DPST(2AB)	36.5mm
3PST(3AB)	44mm
4PST(4AB)	51.5mm

## Mounting Dimension



## ORDERING CODE

**D16 L  U  -  AB**

### ACTION

A : Maintained  
 M : Momentary

### BEZEL

1 : Plastic  
 2 : Aluminum

### CONTACTS

1 : 1A1B  
 2 : 2A2B  
 3 : 3A3B  
 4 : 4A4B