

Technical data



Mechanical design

Switch system: One double break snap-action
 Switch mode: 1 ~ 4 poles
 Contact material: Soldering type : Silver
 Socket type : Pin with golden plating

Electric Rating

AC 250V / AC 125V: 5A / 8A
 DC 250V / DC 24V: 0.2A / 6A

Electrical life time

Alternate action:
 5A/250V AC > 5.0 x 10⁴
 4A/250V AC > 1.2 x 10⁵
 2A/250V AC > 4.0 x 10⁵
 1A/250V AC > 8.0 x 10⁵

Momentary action

5A/250V AC > 2.5 x 10⁴
 4A/250V AC > 6.0 x 10⁴
 2A/250V AC > 2.0 x 10⁵
 1A/250V AC > 4.0 x 10⁵

Mechanical life time

>2 million operations

Other specifications

Body material: Temperature resistant thermoplastic
 Aluminium anodized
 Operating travel: 3.0 mm
 Actuating force: 2-5N depending
 Initial contact resistance: <10m Ohm current 1A AC according to IEC 341-1 test I silver contact
 <15m Ohm 20mV according to IEC 341-1 test II gold contact

Terminal

wire 2 x 0.8mm
 cable 0.75mm² max.
 Max torque of net: maximum 15kgfcm
 Max. insulation voltage: 2000V, 60Hz, 1 min. between all terminals and ground

Acceleration

>10g in all 3 planes

Vibration resistance

IEC 68-2-6 test

Soldering heat resistance

280°C 4 ses

Insulation resistance

IEC 341-1
 >1000 megaohms 500V DC

Panel thickness

8mm max.

Degree of protection

IP 40

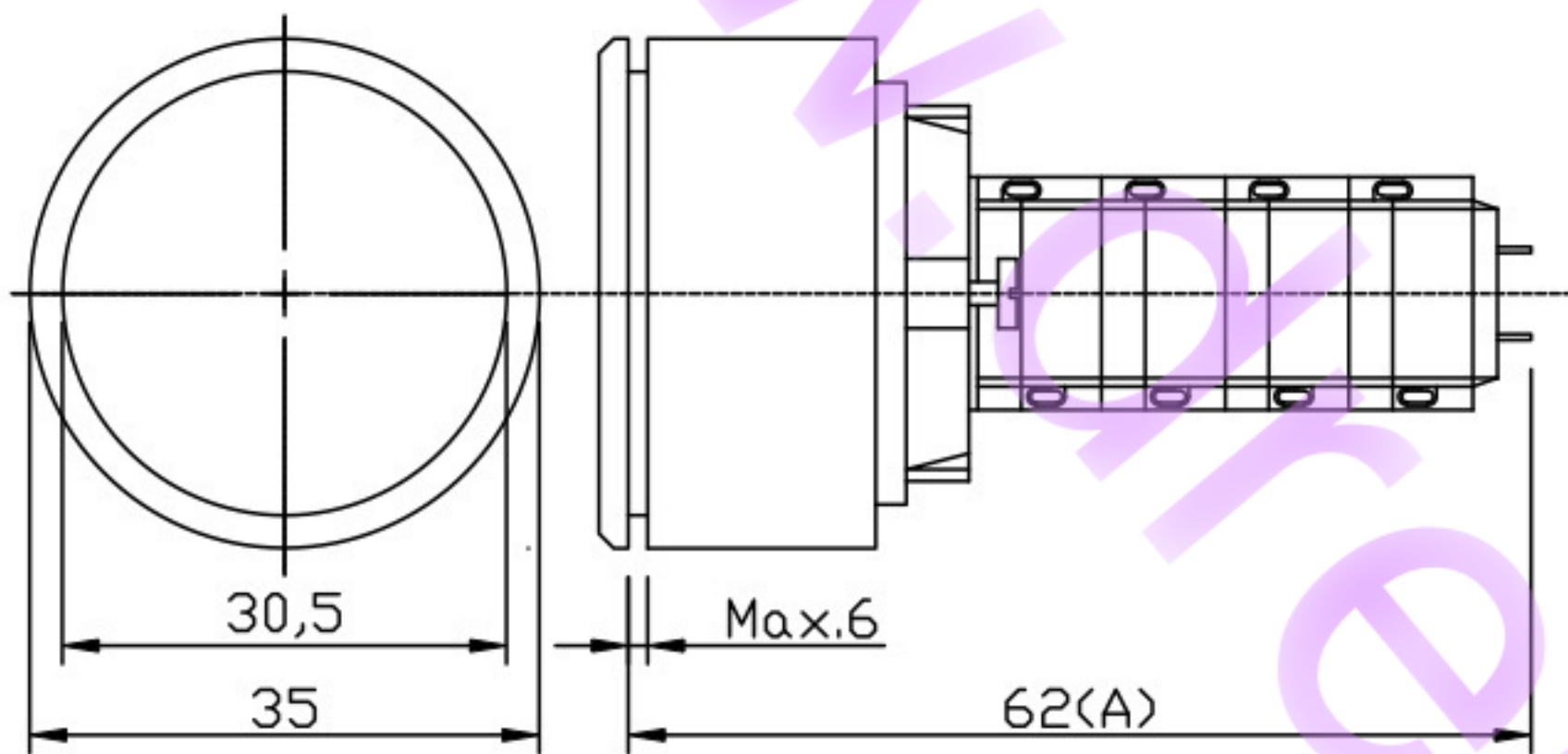
Storage temperature

-40°C to +85°C

Operating temperature

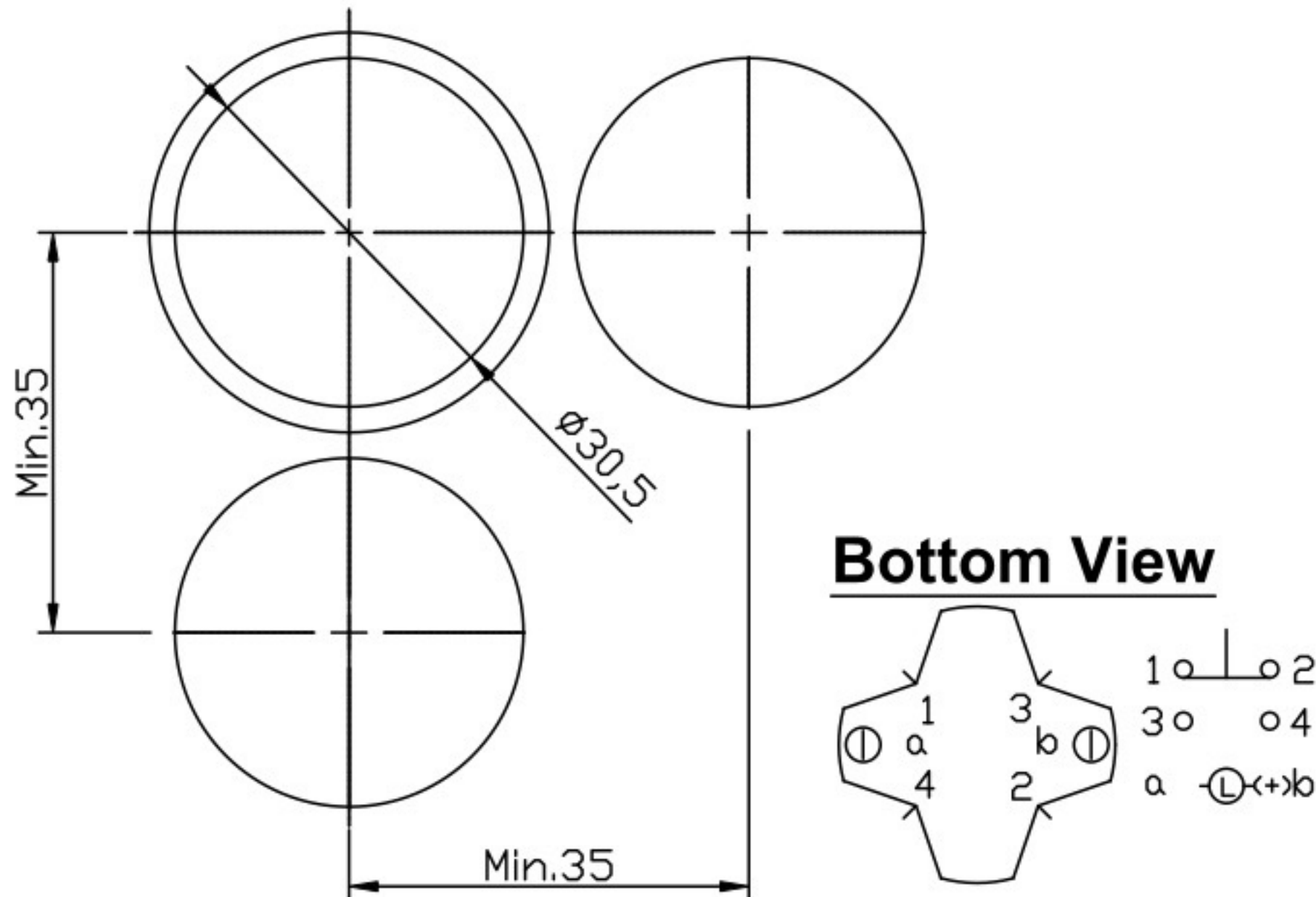
-25°C to +55°C with lamp
 -25°C to +70°C without lamp

Technical Drawing



Type	Mounting length(A)
SPST(1AB)	39.5mm
DPST(2AB)	47.0mm
3PST(3AB)	54.5mm
4PST(4AB)	62.0mm

Mounting Dimension



ORDERING CODE

D16 L U3 - AB

ACTION
A : Maintained
M : Momentary

CONTACTS
1 : 1A1B
2 : 2A2B
3 : 3A3B
4 : 4A4B