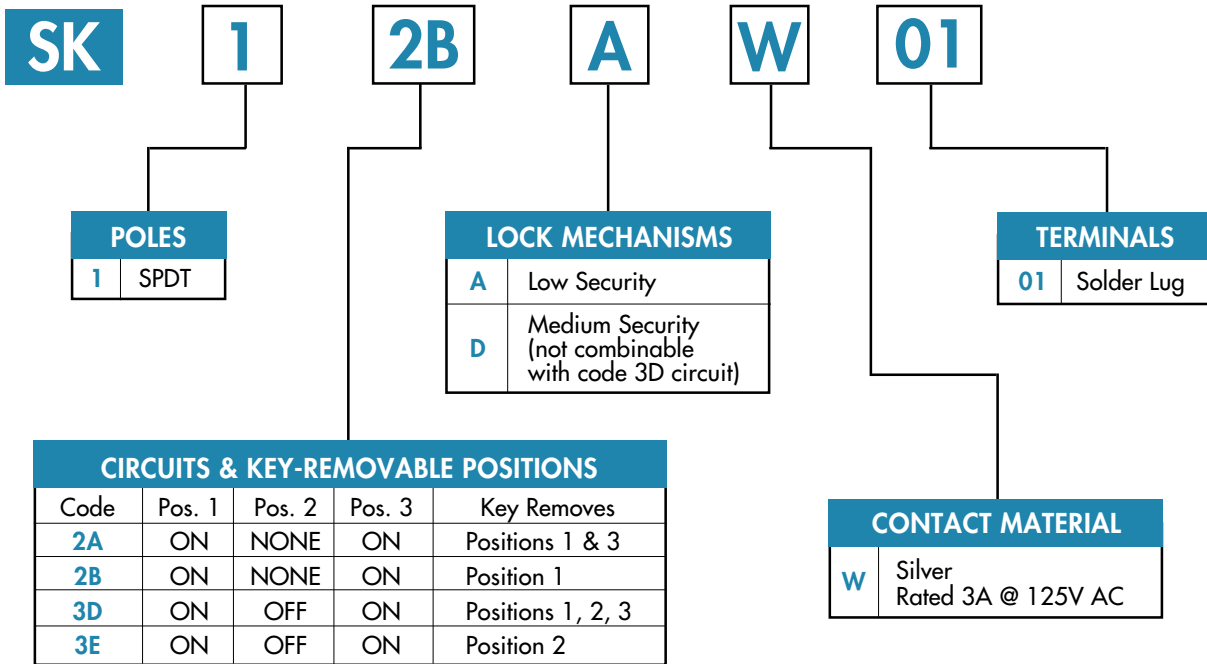


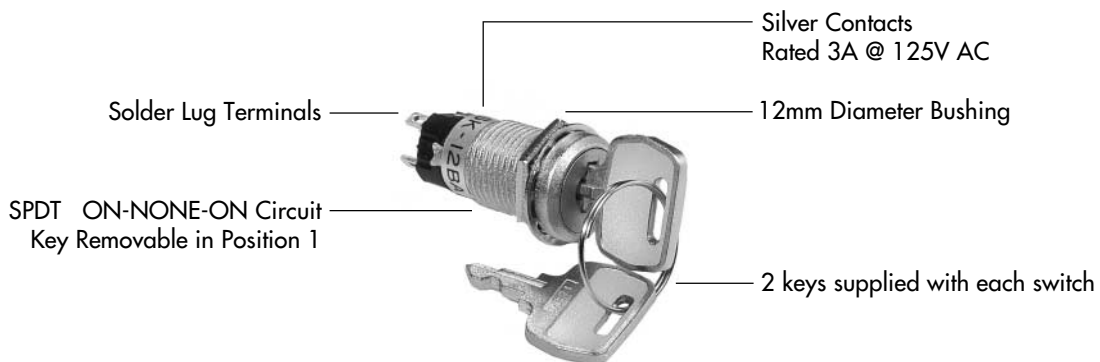


## TYPICAL SWITCH ORDERING EXAMPLE



### DESCRIPTION FOR TYPICAL ORDERING EXAMPLE

#### SK12BAW01



#### IMPORTANT:



Switches are supplied without UL & CSA marking unless specified. Specific models & ratings noted on General Specifications page.



### GENERAL SPECIFICATIONS

#### Electrical Capacity (Resistive Load)

**Power Level (code W):** 3A @ 125V AC for low & medium security; 1A @ 250V AC for low security

#### Other Ratings

**Contact Resistance:** 10 milliohms maximum  
**Insulation Resistance:** 1,000 megohms minimum @ 500V DC  
**Dielectric Strength:** 1,000V AC minimum between contacts; 1,500V AC minimum between contacts & case  
**Mechanical Life:** 30,000 cycles minimum  
**Electrical Life:** 10,000 cycles minimum  
**Nominal Operating Torque:** 270 grams-cm (3.74 ounce-in) for low & medium security  
**Contact Timing:** Break before make  
**Angle of Throw:** 90° for 2-position & 45° for 3-position

#### Materials & Finishes

**Key:** Zinc alloy with chrome plating (matte) for low security models;  
brass with nickel plating (shiny) for medium security models  
**Tumbler Barrel:** Zinc alloy with chrome plating (matte) for low security models;  
zinc alloy with chrome plating (shiny) for medium security models  
**Housing/Bushing:** Zinc alloy with chrome plating (matte) for low security models;  
zinc alloy with chrome plating (shiny) for medium security models  
**Base:** Phenolic resin (thermoset)  
**Movable Contactor:** Silver  
**Stationary Contacts:** Silver capped copper with silver plating  
**Terminals:** Copper or brass with silver plating

#### Environmental Data

**Operating Temp Range:** -25°C through +70°C (-13°F through +158°F)  
**Humidity:** 90 ~ 95% for 96 hours @ 40°C (104°F)  
**Vibration:** 10 ~ 55 Hz with peak-to-peak amplitude of 1.5mm traversing the frequency range  
and returning in 1 minute; 3 right angled directions for 2 hours  
**Shock:** 50g acceleration (tested in 6 right angled directions, with 5 shocks in each direction)

#### Installation

**Mounting Torque:** 15.3kgf/cm (13.3lb/in) in mounting torque  
**Soldering Time & Temperature:** 3 seconds @ 350°C  
**Process Seal:** Not available

#### Standards & Certifications

**UL Recognized:** All low security models recognized at 3A @ 125V AC or 1A @ 250V AC  
& all medium security models recognized at 3A @ 125V AC; UL File No. E44145  
**CSA Certified:** All low security models certified at 3A @ 125V AC or  
1A @ 250V AC; CSA File No. LR23535



# Series SK

Low & Medium Security Keylock Switches

## POLES, CIRCUITS, & KEY-REMOVABLE POSITIONS

| Pole & Throw | Model  | Key Positions |       |       | Connected Terminals<br>(Terminal numbers are on switch) |       |       | Schematic | ⊙ = Key Removable<br>● = Not Removable<br>✓ = Maximum Arc |
|--------------|--------|---------------|-------|-------|---|-------|-------|-----------|---|
|              |        | Pos 1         | Pos 2 | Pos 3 | Pos 1   | Pos 2 | Pos 3 |           |   |
| SPDT         | SK12A  | ON            | NONE  | ON    | COM-1   | ----- | COM-2 |           |   |
| SPDT         | SK12B  | ON            | NONE  | ON    | COM-1   | ----- | COM-2 |           |   |
| SPDT         | SK13D* | ON            | OFF   | ON    | COM-1   | OPEN  | COM-2 |           |   |
| SPDT         | SK13E  | ON            | OFF   | ON    | COM-1   | OPEN  | COM-2 |           |   |

\* Available with low security only

## KEY REMOVABLE

**A** Positions 1 & 3  
(90° angular throw)

**B** Position 1  
(90° angular throw)

**D** Positions 1, 2, & 3  
(45° angular throw)

**E** Position 2  
(45° angular throw)

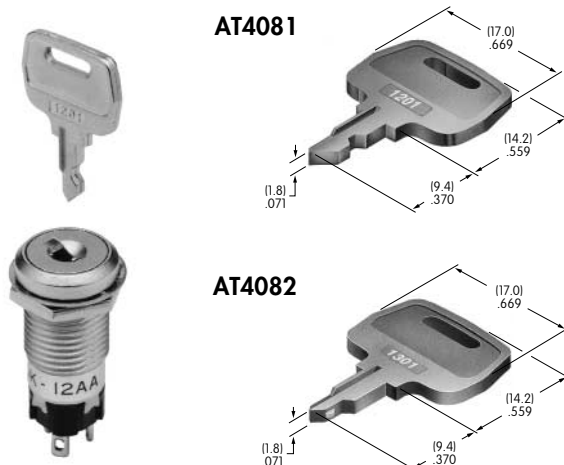
## LOCK MECHANISMS & KEYS

**A** Low Security Mechanism  
with 3 Tumblers

Zinc Alloy with Chrome Plating (matte finish)

2 keys provided with each switch  
(no master key available).

For ordering additional keys:  
AT4081 for SK12A and SK12B; marked "1201" or  
AT4082 for SK13D and SK13E; marked "1301".

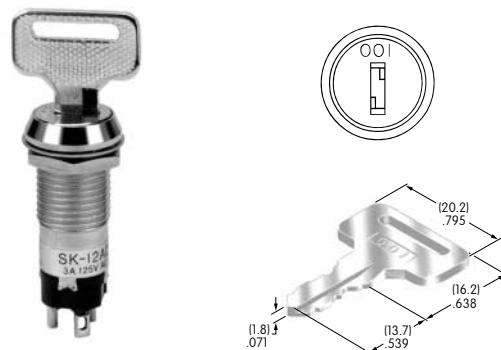


**D** Medium Security Mechanism  
with 4 Tumblers

Brass with Nickel Plating (shiny finish)

1 key provided with each switch  
(no master key available).

For ordering additional keys, indicate the same key  
number that is engraved on the face of your switch.





# Series SK

Low & Medium Security Keylock Switches

## CONTACT MATERIALS, RATINGS, & TERMINALS

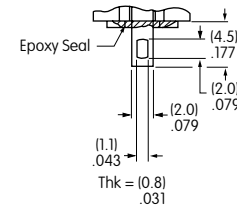
**W** Silver over Silver

Power Level

3A @ 125V AC

**01** Solder Lug Terminals

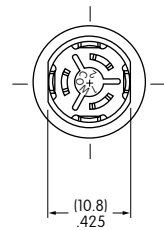
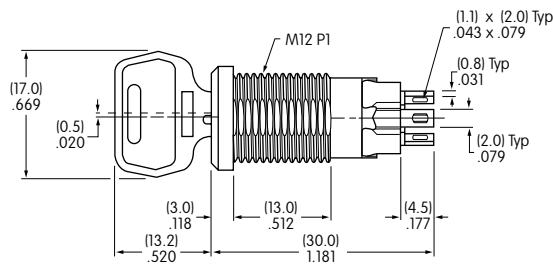
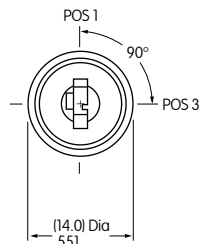
Solder lug terminals have a 1.1mm x 2mm oval hole which accommodates 1 solid 18-gauge wire or 2 solid or stranded 20-gauge wires.



## TYPICAL SWITCH DIMENSIONS

Low Security • 90° Angular Throw

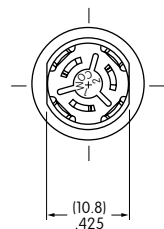
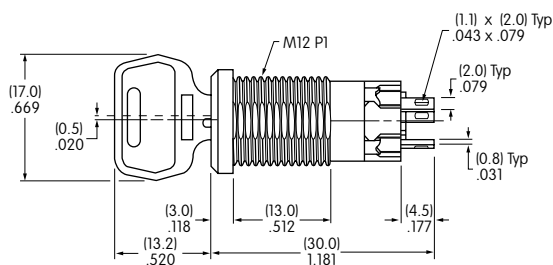
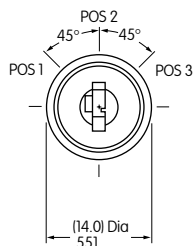
Single Pole



SK12BAW01

Low Security • 45° Angular Throw

Single Pole



SK13EAW01



# Series SK

Low & Medium Security Keylock Switches

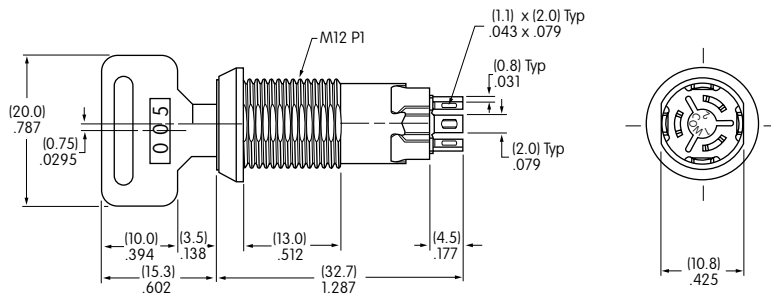
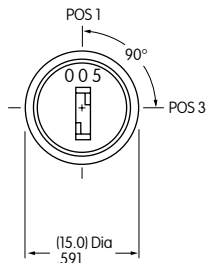
## TYPICAL SWITCH DIMENSIONS

Medium Security • 90° Angular Throw

Single Pole



SK12ADW01

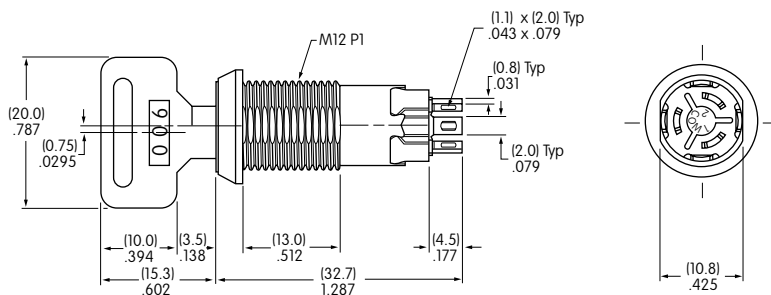
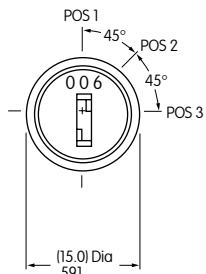


Medium Security • 45° Angular Throw

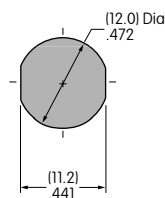
Single Pole



SK13EDW01



## PANEL CUTOUT & THICKNESS



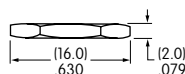
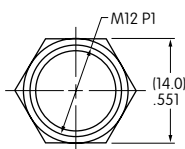
The 12mm bushing is 13.0mm (.512") long. It allows mounting these devices in a maximum effective panel thickness of 8.0mm (.315").

## STANDARD HARDWARE

**AT527M**  
Hex Mounting Nut

1 included with each switch

Steel, nickel plating



**AT508**  
Internal Tooth Lockwasher

1 included with each switch

Steel, chromate over zinc plating

