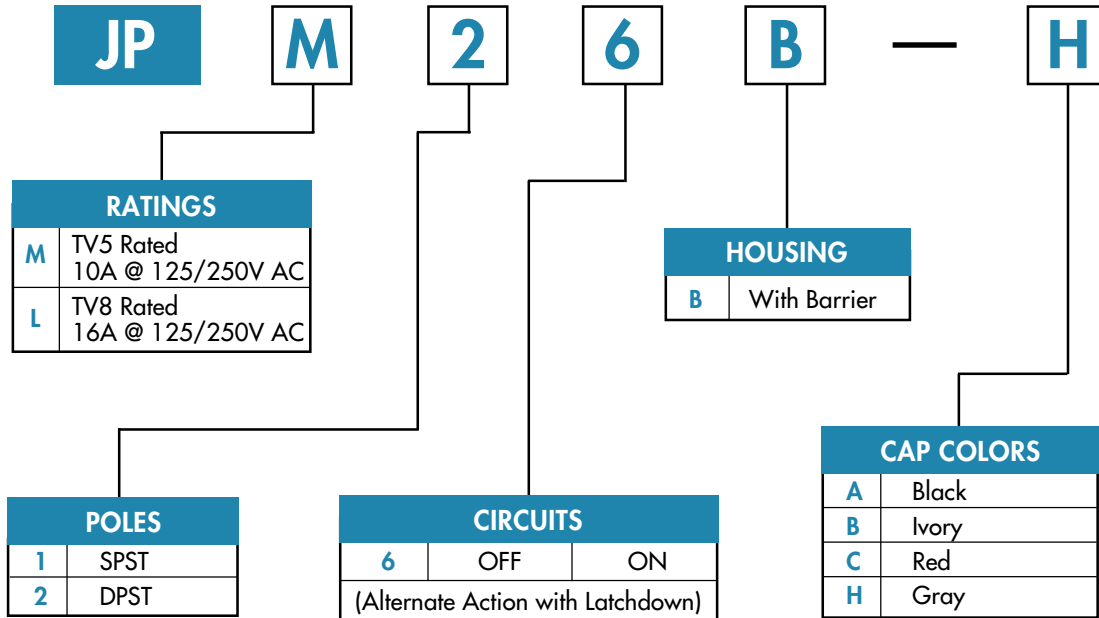


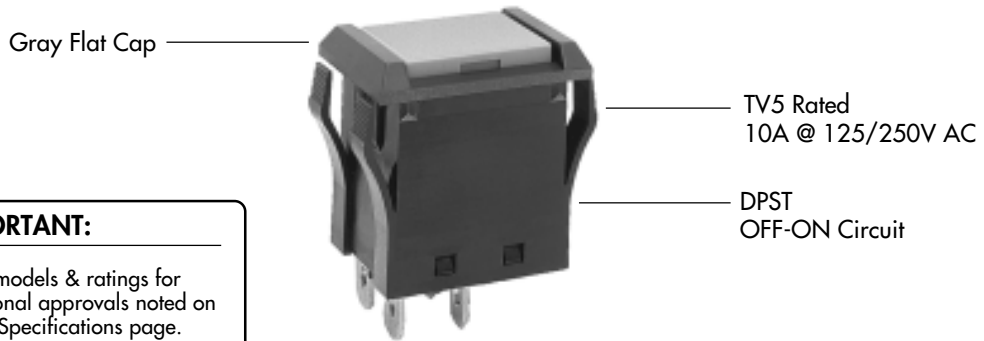


TYPICAL SWITCH ORDERING EXAMPLE



DESCRIPTION FOR TYPICAL ORDERING EXAMPLE

JPM26B-H



IMPORTANT:

 Specific models & ratings for international approvals noted on General Specifications page.

RATINGS

M	TV5 Rated	Power Level	10A @ 125/250V AC
L	TV8 Rated	Power Level	16A @ 125/250V AC
Note: See Engineering Particulars page to find complete explanation of TV ratings.			



GENERAL SPECIFICATIONS

Electrical Capacity (Resistive Load)

Power Level: 10A @ 125/250V AC for JWM models
16A @ 125/250V AC for JWL models

Other Ratings

Contact Resistance: 20 milliohms maximum
Insulation Resistance: 1,000 megohms minimum @ 500V DC
Dielectric Strength: 2,000V AC minimum between contacts; 4,000V AC minimum between contacts & case
Mechanical Life: 25,000 operations minimum
Electrical Life: 25,000 operations minimum
Nominal Operating Force: JPM Single Pole 360 grams & Double Pole 660 grams
JPL Single Pole 460 grams & Double Pole 920 grams
Contact Timing: Break before make
Latchdown: Normal position - flush with barrier; latchdown position - 2.0mm (.079") below normal
Travel: 1.5mm (.059") pretravel; 1.8mm (.071") overtravel; 3.3mm (.130") total travel

Materials & Finishes

Housing/Frame: Polyamide
Barrier: Polyamide
Interior Seal: Polyphenylene sulfide
Case/Base: Phenolic resin
Movable Contacts: Silver alloy with silver plating
Stationary Contacts: Silver alloy with silver plating
Terminals: Brass with silver plating

Environmental Data

Operating Temp Range: -10°C through +70°C (+14°F through +158°F)
Humidity: 90 ~ 95% humidity for 96 hours @ 40°C (104°F)
Vibration: 10 ~ 55Hz with peak-to-peak amplitude of 1.5mm traversing the frequency range & returning in 1 minute; 3 right angled directions for 2 hours
Shock: 50g acceleration (tested in 6 right angled directions, with 5 shocks in each direction)
Process Seal: Dust resistant inner seal

Installation

Soldering Time & Temperature: 3 seconds @ 350°C

Standards & Certifications

Flammability Standards: UL94V-0 for housing/frame & case/base
CSA Certified: All JPM models certified at 10A @ 250V AC, TV5;
CSA File No. LR23535
VDE Approved: All JPM approved at steady state 5A, inrush 80A, resistive 10A, & motor load 6A all at 250V AC; VDE License No. 77507;
all JPL approved at steady state 8A, inrush 128A, resistive 16A, & motor load 8A all at 250V AC; VDE License No. 97579



Series JP

Internationally Approved Switches

POLES & CIRCUITS

		Plunger Position		Connected Terminals		Throw & Schematic
Pole	Model	Normal 	Down 	Normal 	Down 	Note: Terminal numbers are shown on the switch.
SP	JPM16 JPL16	OFF	ON	OPEN	1-1a	SPST
DP	JPM26 JPL26	OFF	ON	OPEN	1-1a 2-2a	DPST

HOUSING & CAP COLORS

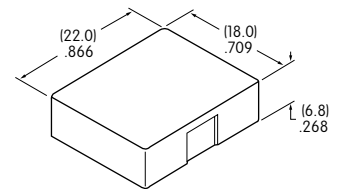
B With Barrier

The barrier is an integral part of the switch. This housing is black molded polyamide matte finish material.



AT3021 Flat Cap

Cap Material: Polyphenelene Oxide
Finish: Matte



Cap Colors Available:

A Black

B Ivory

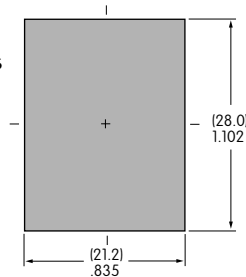
C Red

H Gray

PANEL CUTOUT & TERMINALS

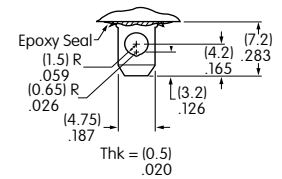
Panel Thickness Range applies to both JPM & JPL models.

1.0 ~ 4.0mm
(.039" ~ .157")



Wiring for JPM & JPL Solder Lugs

The pear shaped 3mm dia. terminal hole accommodates 1 solid 10-gauge wire or 2 stranded 18-gauge wires.



These solder lug terminals can be used with connectors; however, this switch assembly with connectors is not CSA approved.

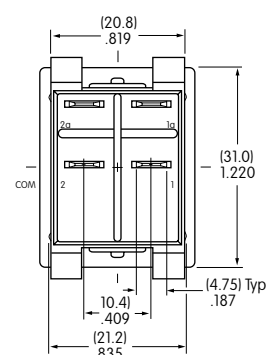
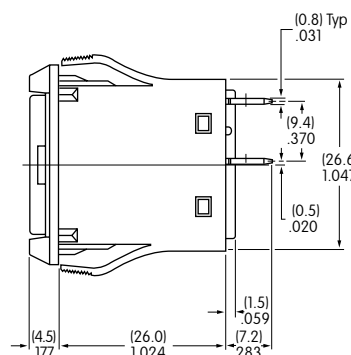
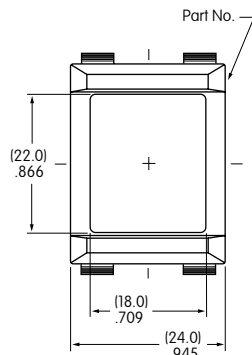
TYPICAL SWITCH DIMENSIONS

JPM & JPL Models

Single & Double Pole



JPM26B-H



Single pole model does not have terminals 2 & 2a.