



## GENERAL SPECIFICATIONS

### Ratings

|  |  |
|--|--|
| <b>Electrical Capacity (Resistive Load):</b> | 10A @ 125V AC & 6A @ 250V AC or 10A @ 30V DC   |
| <b>Contact Resistance:</b>                   | 10 milliohms maximum for solder lug & screw terminal models<br>30 milliohms maximum for wire terminal models |
| <b>Insulation Resistance:</b>                | 200 megohms minimum @ 500V DC  |
| <b>Dielectric Strength:</b>                  | 1,500V AC minimum  |
| <b>Mechanical Life:</b>                      | 50,000 operations minimum for On-On circuit; 30,000 operations minimum for On-(On) circuit                   |
| <b>Electrical Life:</b>                      | 15,000 operations minimum  |
| <b>Contact Timing:</b>                       | Break before make  |

### Materials & Finishes

|                                  |  |
|----------------------------------|--|
| <b>Plunger:</b>                  | Brass with nickel plating                        |
| <b>Bushing &amp; Outer Case:</b> | Fiberglass reinforced polyamide                  |
| <b>Inner Case:</b>               | Melamine   |
| <b>Inner Sealing Ring:</b>       | Silicone rubber                                  |
| <b>Outer Sealing Ring:</b>       | Natural rubber                                   |
| <b>Movable Contact:</b>          | Copper with silver plating                       |
| <b>Movable Contacts:</b>         | Silver alloy plus copper with silver plating     |
| <b>Stationary Contacts:</b>      | Silver alloy plus copper with silver plating     |
| <b>Terminals:</b>                | Brass with silver plating                        |
| <b>Wire Lead Covers:</b>         | Heat resistant polyvinyl chloride (16 AWG leads) |

### Environmental Data

**Operating Temp Range:** -30°C through +70°C (-22°F through +158°F)

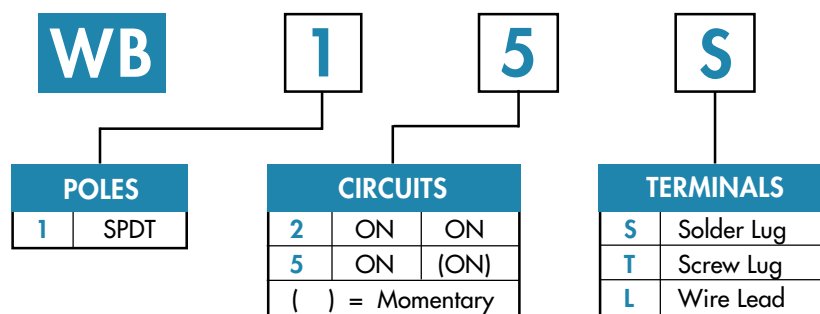
### Installation

**Soldering Time & Temperature:** 3 seconds @ 350°C

### Standards & Certifications

**Flammability Standards:** UL94V-0 available  
**UL AWM 1015 & CSA TEW 105:** See [Engineering Particulars](#) for details on wire lead models.

## TYPICAL SWITCH ORDERING EXAMPLE



DESCRIPTION FOR TYPICAL ORDERING EXAMPLE  
**WB12S**

SPDT  
ON-ON Circuit

Solder Lug  
Terminals



## POLES & CIRCUITS

|      |             | Actuator Position ( ) = Momentary |          | Connected Terminals           |          | Throw & Schematics  |
|------|-------------|-----------------------------------|----------|-------------------------------|----------|---|
| Pole | Model       | Normal<br><small>Flat</small>     | Down<br> | Normal<br><small>Flat</small> | Down<br> | Note: Terminal numbers are not actually models.<br><br>SPDT |
| SP   | <b>WB12</b> | ON                                | ON       | 1-1b                          | 1-1a     |   |
| SP   | <b>WB15</b> | ON                                | (ON)     | 1-1b                          | 1-1a     |   |

### Dimensions



# Series WB

Environmentally Sealed Pushbutton Switches

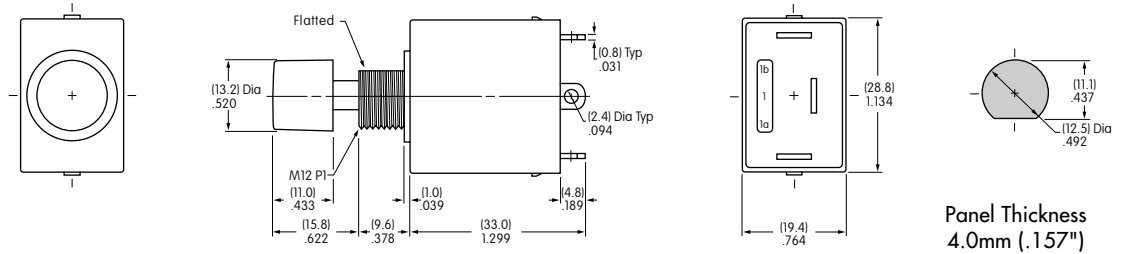
## TYPICAL SWITCH DIMENSIONS

### Solder Lug



WB15S

Supplied with Black Cap AT414, Standard Hardware AT503 Hex Nut, AT508 Locking Ring, and AT401P O-ring.



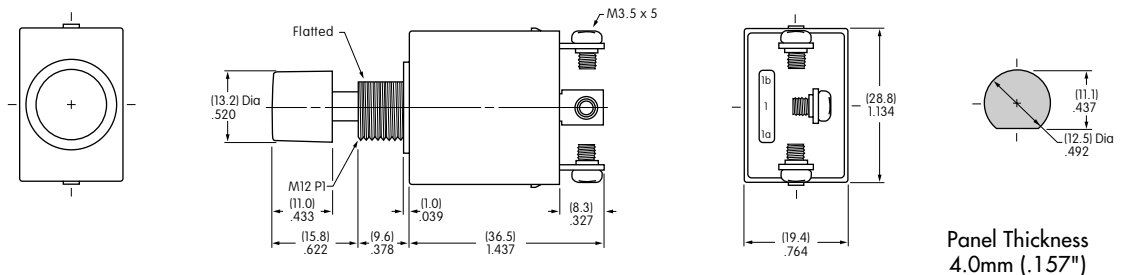
Panel Thickness  
4.0mm (.157")

### Screw Lug



WB12T

Supplied with Black Cap AT414, Standard Hardware AT503 Hex Nut, AT508 Locking Ring, and AT401P O-ring.



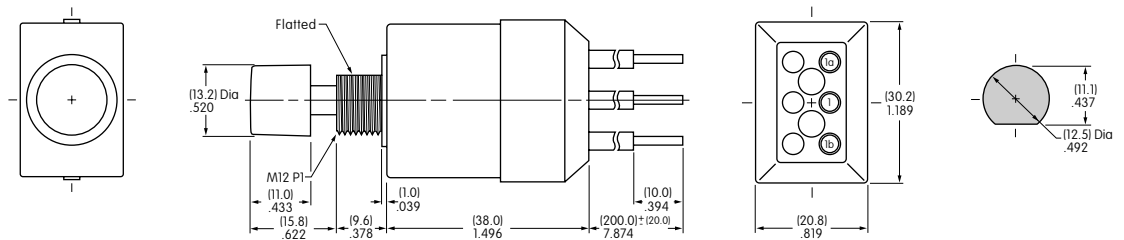
Panel Thickness  
4.0mm (.157")

### Wire Lead



WB12L

See wire lead table on [Engineering Particulars](#) page for specific details.  
Supplied with Black Cap AT414, Standard Hardware AT503 Hex Nut, AT508 Locking Ring, and AT401P O-ring.

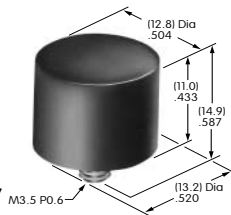


Panel Thickness  
4.0mm (.157")

## STANDARD & OPTIONAL ACCESSORIES

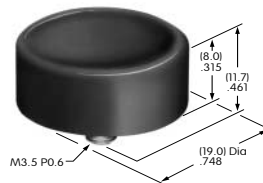
### AT414 13.2mm Diameter

Standard Color:  
Black  
Optional Colors:  
White, Red, Yellow,  
Green, Blue, Gray



### AT412 19mm Diameter Optional Cap

Colors Available:  
Black  
White  
Red  
Green



### AT4043 Waterproof Boot

Material:  
Silicone Rubber

