



# Series CW

Snap-in Power Rocker Switches

## TYPICAL SWITCH ORDERING EXAMPLES

**CWSA**    **1**    **1**    **A**    **A**    **N**       **S**

POLE	
1	SPST & SPDT

CIRCUITS			
1	ON	NONE	OFF
2	ON	NONE	ON


CAP COLOR	
A	Black

ILLUMINATION	
For All Models	
N	None

HOUSING	
A	Black

INSCRIPTION	
For All Models	
No Code	None
For On-None-Off	
1	Vertical
2	Horizontal
3	Dot Marking

TERMINALS	
S	Solder Lug
H	Right Angle PC



TYPICAL ORDERING EXAMPLE  
**CWSA11AANS**

**CWSB**    **2**    **1**    **A**    **A**    **1**    **F**

POLES	
1	SPST
2	DPST


CIRCUIT			
1	ON	NONE	OFF

CAP COLOR	
A	Black

HOUSING	
A	Black

INSCRIPTION	
No Code	None
1	Vertical
2	Horizontal
3	Dot Marking

TERMINALS	
F	Quick Connect
H	Right Angle PC



TYPICAL ORDERING EXAMPLE  
**CWSB21AA1F**

**CWT**    **1**    **2**    **A**    **A**    **S1**


POLE	
1	SPDT

CIRCUIT			
2	ON	NONE	ON

CAP COLOR	
A	Black

HOUSING	
A	Black

TERMINALS	
S1	Solder Lug



TYPICAL ORDERING EXAMPLE  
**CWT12AAS1**



### GENERAL SPECIFICATIONS

#### CWSA Electrical Capacity

**Power Level:** For Resistive Load 6A @ 250V AC; For Inductive Load P.F. 0.75

#### Other Ratings

- Contact Resistance:** 20 milliohms maximum
- Insulation Resistance:** 500 megohms minimum @ 500V DC
- Dielectric Strength:** 1,500V AC minimum between contacts; 3,000V AC minimum between contacts & case
- Mechanical Life:** 30,000 operations minimum
- Electrical Life:** 10,000 operations minimum with Resistive Load & 6,000 operations with Inductive Load
- Nominal Operating Force:** 255 grams
- Angle of Throw:** 30°

#### Materials & Finishes

- |                           |                           |                             |                                |
|---------------------------|---------------------------|-----------------------------|--------------------------------|
| <b>Rocker:</b>            | Polycarbonate             | <b>Stationary Contacts:</b> | Silver alloy                   |
| <b>Housing:</b>           | Polyamide                 | <b>Base:</b>                | Laminated thermosetting sheets |
| <b>Movable Contactor:</b> | Brass with silver plating | <b>Contact Terminals:</b>   | Copper with silver plating     |
| <b>Movable Contacts:</b>  | Silver                    | <b>Common Terminal:</b>     | Brass with silver plating      |

#### CWSB Electrical Capacity

**Power Level:** For Resistive Load 6A @ 250V AC; For Inductive Load P.F. 0.75

#### Other Ratings

- Contact Resistance:** 20 milliohms maximum
- Insulation Resistance:** 500 megohms minimum @ 500V DC
- Dielectric Strength:** 1,500V AC minimum between contacts; 3,000V AC minimum between contacts & case
- Mechanical Life:** 30,000 operations minimum
- Electrical Life:** 10,000 operations minimum with Resistive Load & 6,000 operations with Inductive Load
- Nominal Operating Force:** 663 grams for single pole models; 1,020 grams for double pole models
- Angle of Throw:** 30°

#### Materials & Finishes

- |                           |                                      |                             |                                |
|---------------------------|--------------------------------------|-----------------------------|--------------------------------|
| <b>Rocker:</b>            | Polycarbonate                        | <b>Stationary Contacts:</b> | Silver alloy                   |
| <b>Housing:</b>           | Polyamide                            | <b>Base:</b>                | Laminated thermosetting sheets |
| <b>Movable Contactor:</b> | Beryllium copper with silver plating | <b>Terminals:</b>           | Brass with silver plating      |
| <b>Movable Contacts:</b>  | Silver                               |                             |                                |

#### CWT Electrical Capacity (Resistive Load)

**Power Level:** 6A @ 125; 3A @ 250V AC; 4A @ 30V DC

#### Other Ratings

- Contact Resistance:** 10 milliohms maximum
- Insulation Resistance:** 1 gigohm minimum @ 500V DC
- Dielectric Strength:** 1,000V AC minimum between contacts; 1,500V AC minimum between contacts & case
- Mechanical Life:** 50,000 operations minimum
- Electrical Life:** 25,000 operations minimum
- Nominal Operating Force:** 204 grams
- Angle of Throw:** 30°

#### Materials & Finishes

- |                           |                                    |                           |                                    |
|---------------------------|------------------------------------|---------------------------|------------------------------------|
| <b>Rocker:</b>            | GFR polyamide                      | <b>Base:</b>              | LCP (Liquid Crystal Polymer)       |
| <b>Housing:</b>           | Polyamide                          | <b>Contact Terminals:</b> | Brass + silver with silver plating |
| <b>Movable Contactor:</b> | Phosphor brass with silver plating | <b>Common Terminal:</b>   | Brass with silver plating          |
| <b>Movable Contacts:</b>  | Silver alloy                       |                           |                                    |



# Series CW

Snap-in Power Rocker Switches

## INSCRIPTIONS



**None**

All models are available with rocker that has no inscription.



**Vertical Orientation**

Only On-None-Off models are available with the vertical inscription.



**Horizontal Orientation**

Only On-None-Off models are available with the horizontal inscription.



**Dot Marking**

Only On-None-Off models are available with the dot inscription.

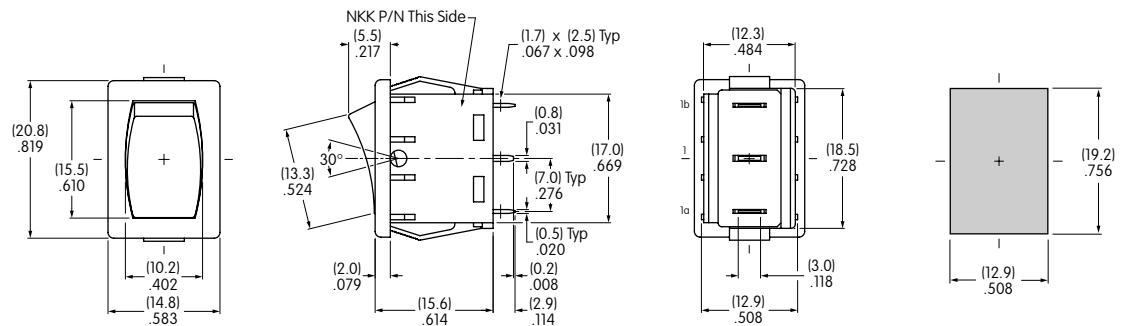


The IEC symbols for On-Off are supplied with Single Throw models only. Orientation of inscription must be selected. Inscription color is white ink on black.

## TYPICAL SWITCH DIMENSIONS FOR CWSA

**Solder Lug**

**Single Pole • No Inscription**



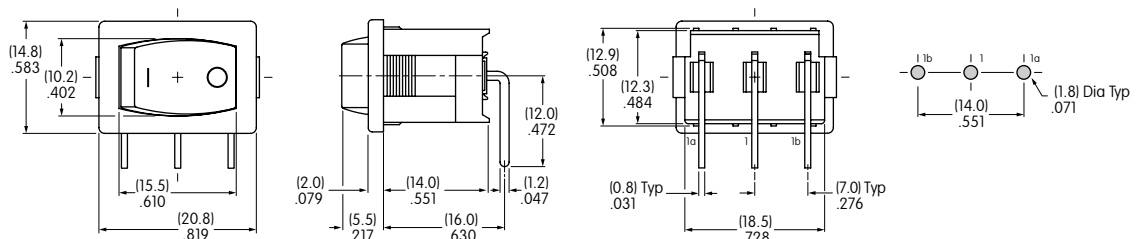
Single throw model does not have terminal 1B.  
 The .067" x .098" terminal hole accommodates  
 1 solid 12-gauge wire or 2 stranded 20-gauge wires.

Panel Thickness:  
 0.75mm ~ 2.0mm  
 (.030" ~ .079")

**CWSA12AANS**

**Right Angle**

**Single Pole • Horizontal On-Off Inscription**



Single throw model does not have terminal 1B.

**CWSA11AAN2H**



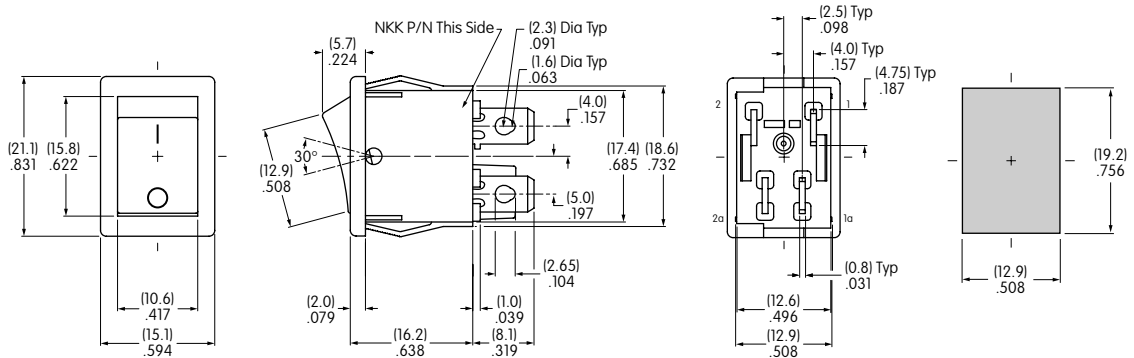
# Series CW

Snap-in Power Rocker Switches

## TYPICAL SWITCH DIMENSIONS FOR CWSB

Quick Connect

Double Pole • Vertical On-Off Inscription



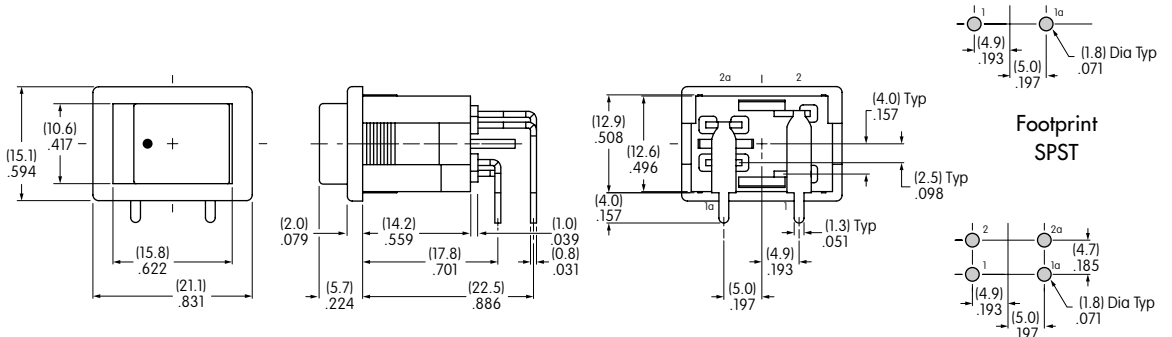
CWSB21AA1F

Pear shaped .091" dia. terminal hole accommodates 1 solid 12-gauge wire or 2 stranded 20-gauge wires.

Panel Thickness  
0.75mm ~ 2.0mm  
(.030" ~ .079")

Right Angle

Single Pole • Dot Inscription



CWSB11AA3H

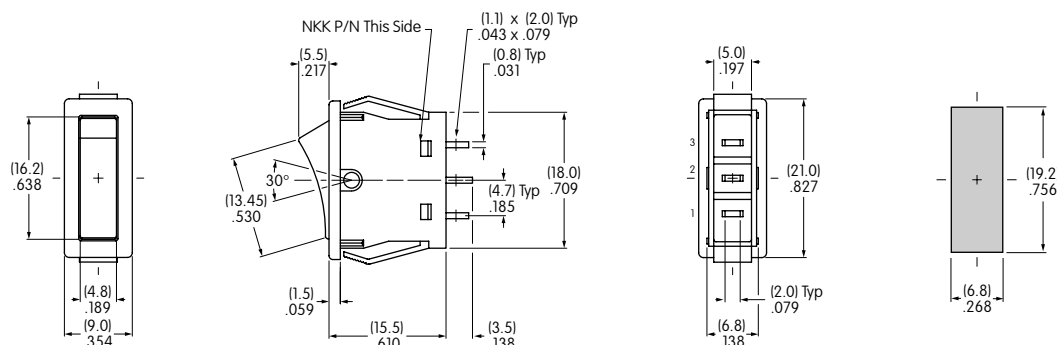
Footprint  
SPST

Footprint  
DPST

## TYPICAL SWITCH DIMENSIONS FOR CWT

Solder Lug

Single Pole • No Inscription



CWT12AA51

The .043" x .079" terminal hole accommodates 1 solid 18-gauge wire or 2 solid or stranded 20-gauge wires.

Panel Thickness  
0.75mm ~ 2.0mm  
(.030" ~ .079")