



GENERAL SPECIFICATIONS FOR SW3000s

Electrical Capacity (Resistive & Inductive Load)

Power Level: Shown in the following tables

Other Ratings

Contact Resistance:	10 milliohms maximum
Insulation Resistance:	200 megohms minimum @ 500V DC for SW3211 & SW3116 1,000 megohms minimum @ 500V DC for SW3001A ~ SW3008A
Dielectric Strength:	1,500V AC minimum for SW3211 & SW3116 2,000V AC minimum for SW3001A ~ 3008A
Mechanical Life:	30,000 operations minimum
Electrical Life:	10,000 operations minimum
Angle of Throw (α):	Shown on drawings or following tables

Materials & Finishes

Rocker:	Urea resin, phenolic resin, or polycarbonate; all rockers are white.
Mounting Frame:	Steel with zinc plating
Case:	Phenolic resin
Movable Contactor Plate:	Copper with silver plating
Movable & Stationary Contacts:	Brass or phosphor bronze with silver plating for SW3116; silver alloy plus copper with silver plating for all other models
Terminals:	Brass or phosphor bronze with silver plating

Environmental Data

Operating Temp Range:	-10°C through +70°C (+14°F through +158°F)
Sealing:	Dustproof cover of silicone rubber on SW3006A, SW3007A, & SW3008A

Installation

Maximum Panel Thickness:	Shown with following drawings
Soldering Time & Temperature:	3 seconds @ 350°C or 5 seconds @ 270°C

Standards & Certifications

UL Recognized:	Designated with UL recognized symbol beside part numbers on following pages See Supplement Index to find UL rating details. UL File No. E44145 Add "/U" to end of part number to order UL mark on switch.
CSA Certified:	Designated with CSA certified symbol beside part numbers on following pages See Supplement Index to find CSA rating details. File No. LR23535; Add "/C" to end of part number to order CSA mark on switch.



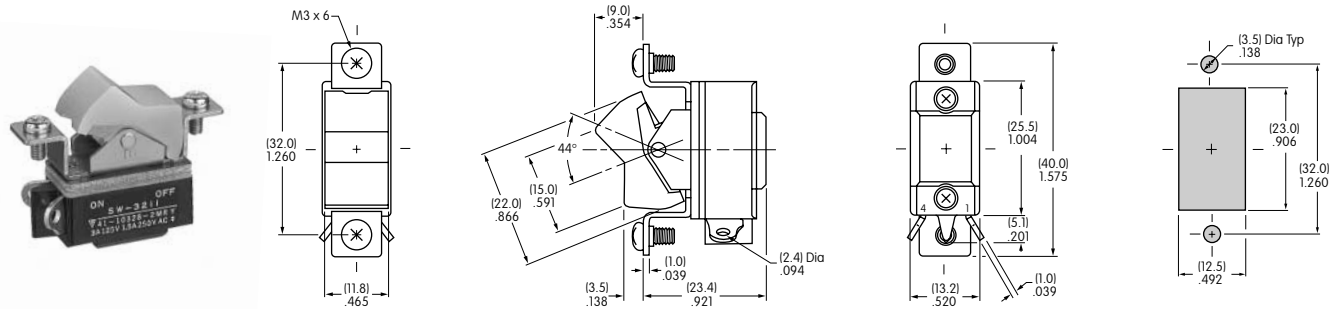
Series SW

Low/Medium Capacity Rocker Switches

SINGLE POLE WITH SOLDER LUG

			Rocker Position/Connected Terminals				Electrical Capacity			
Model	Approvals	Pole	Down	Center	Up	Resistive			Inductive	
						AC 125V	AC 250V	DC 30V	AC 125V PF 0.6	
SW3211	—	SPST	ON 1-4	NONE	OFF —	3A	1.5A	1.5A	1.5A	
Throw & Schematic: SPST							Note: Terminal numbers are on the switch.			

- Solder lug terminal hole accommodates one 12-gauge solid or stranded wire.



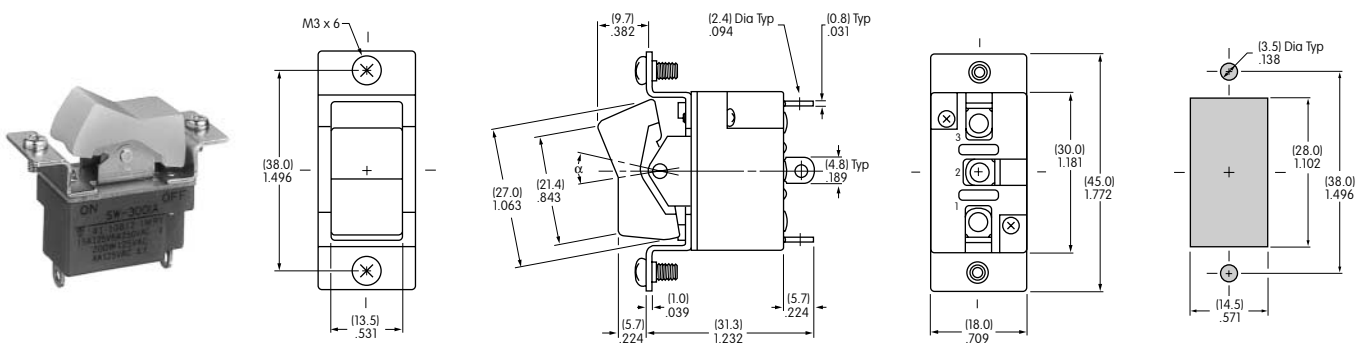
SW3211

Maximum Effective Panel Thickness
3.0mm (.118")

SINGLE POLE WITH SOLDER LUG

			Rocker Position/Connected Terminals				Electrical Capacity				α = Angle of Throw
Model	Approvals	Pole	Down	Center	Up	Resistive			Inductive		
						AC 125V	AC 250V	DC 30V	AC 125V PF 0.6		
SW3001A		SPST	ON 1-3	NONE	OFF —	15A	6A	15A	10A	24°	
SW3002A		SPDT	ON 2-3	NONE	ON 2-1	15A	6A	15A	10A	24°	
SW3003A		SPDT	ON 2-3	OFF	ON 2-1	15A	6A	15A	10A	28°	
Throw & Schematics: SPST INTERNAL CONNECTION SPDT 2 (COM)							Note: Terminal numbers are on the switch.				

- Solder lug terminal hole accommodates one 12-gauge solid or stranded wire.



SW3001A

Maximum Effective Panel Thickness: 5.0mm (.197") for SW3001A & SW3002A models; 4.5mm (.177") for SW3003A models

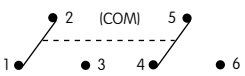


Series SW

Low/Medium Capacity Rocker Switches

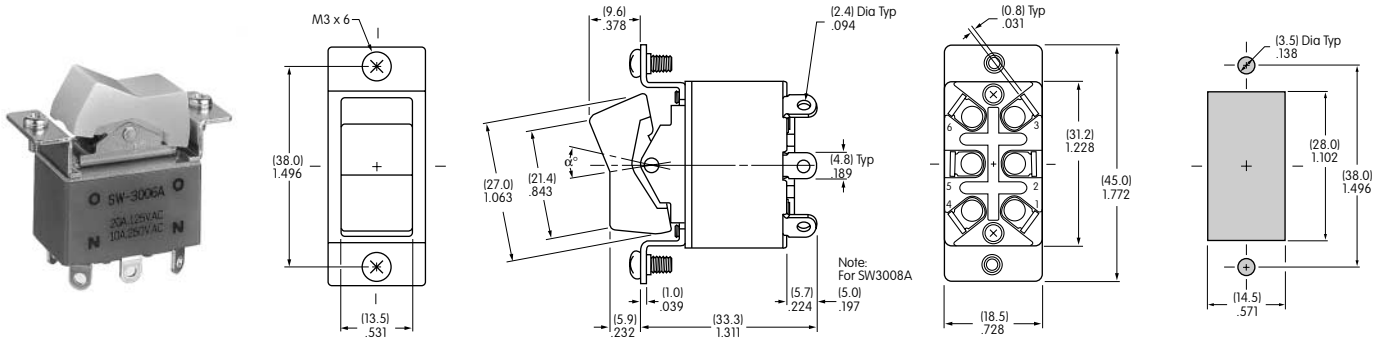
DOUBLE POLE WITH SOLDER LUG

Model	Approvals	Pole	Rocker Position/Connected Terminals			Electrical Capacity				α = Angle of Throw
			Down	Center	Up	Resistive			Inductive AC 125V PF 0.6	
						AC 125V	AC 250V	DC 30V		
SW3006A	UL, SE	DPDT	ON 2-3 5-6	NONE	ON 2-1 5-4	20A	10A	20A	10A	24°
SW3007A	—, SE	DPDT	ON 2-3 5-6	OFF	ON 2-1 5-4	15A	6A	15A	10A	28°
SW3008A	—, —	DPDT	MOM 2-3 5-6	OFF	MOM 2-1 5-4	15A	6A	15A	10A	24°

Throw & Schematic: DPDT 

Note: Terminal numbers are on the switch.

- Solder lug terminal hole accommodates one 12-gauge solid or stranded wire.

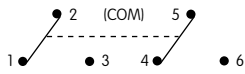


SW3006A

Maximum Effective Panel Thickness: 5.0mm (.197") for SW3006A & SW3008A models; 4.5mm (.177") for SW3007A models

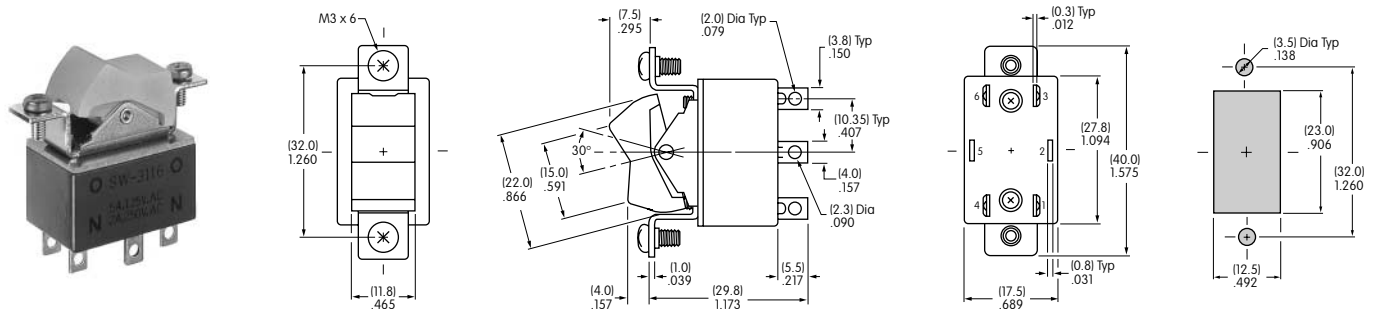
DOUBLE POLE WITH SOLDER LUG

Model	Approvals	Pole	Rocker Position/Connected Terminals			Electrical Capacity			
			Down	Center	Up	Resistive			Inductive AC 125V PF 0.6
						AC 125V	AC 250V	DC 30V	
SW3116	—, SE	DPDT	ON 2-1 5-4	NONE	ON 2-3 5-6	5A	2A	5A	3A

Throw & Schematic: DPDT 

Note: Terminal numbers are on the switch.

- Solder lug terminal hole accommodates one 14-gauge solid or stranded wire.



SW3116

Maximum Effective Panel Thickness 3.0mm (.118")