



# Series SW

High Capacity Rocker Switches

## GENERAL SPECIFICATIONS FOR SW3500s & SW3800s

### Electrical Capacity (Resistive & Inductive Load)

**Power Level:** Shown in the following tables

Note: See [Supplement Index](#) for details of design for inductive DC loads.

### Other Ratings

<b>Contact Resistance:</b>	10 milliohms maximum	
<b>Insulation Resistance:</b>	2,000 megohms for SW3500s; 1,000 megohms minimum @ 500V DC for SW3800s	
<b>Dielectric Strength:</b>	2,000V AC minimum	
<b>Mechanical Life:</b>	50,000 operations minimum	
<b>Electrical Life:</b>	25,000 operations minimum	
<b>Angle of Throw:</b>	Shown on following drawings	
<b>Nominal Operating Force:</b>	2,100 grams for SW3532	2,450 grams for SW3822
	2,000 grams for SW3533 Off to On	2,600 grams for SW3823 Off to On
	675 grams for SW3533 On to Off	1,000 grams for SW3823 On to Off

### Materials & Finishes

<b>Rocker:</b>	Urea resin; all rockers are white.
<b>Mounting Frame:</b>	Steel with zinc plating
<b>Case &amp; Case Cover:</b>	Phenolic resin
<b>Movable Contacts:</b>	Copper with silver plating
<b>Stationary Contacts:</b>	Silver alloy plus copper with silver plating
<b>Terminals:</b>	Brass (terminal screws of brass with nickel plating)

### Environmental Data

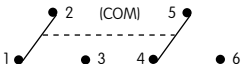
**Operating Temp Range:** -10°C through +70°C (+14°F through +158°F)

### Standards & Certifications

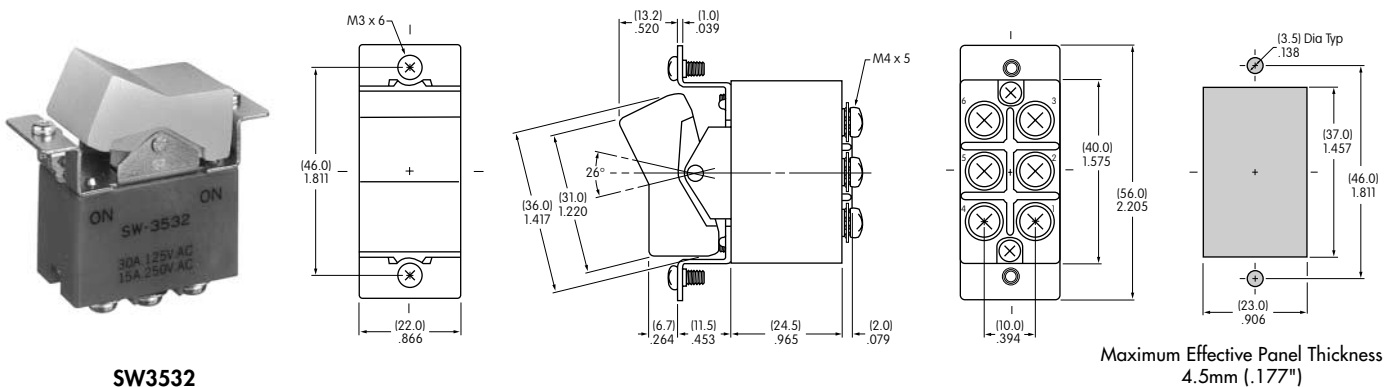
UL recognition & CSA certification symbols shown on following pages  
See [Supplement Index](#) to find additional details.

## DOUBLE POLE WITH SCREW LUG

Model	Approvals	Pole	Rocker Position/Connected Terminals			Electrical Capacity			
			Down	Center	Up	Resistive			Inductive
			AC 125V	AC 250V	DC 30V	AC 125V PF 0.6			
SW3532	— —	DPDT	ON 2-3 5-6	NONE	ON 2-1 5-4	30A	15A	30A	15A
SW3533	— —	DPDT	ON 2-3 5-6	OFF	ON 2-1 5-4	30A	15A	30A	15A

**Throw & Schematics:** DPDT 

Note: Terminal numbers are on the switch.



SW3532

Maximum Effective Panel Thickness  
4.5mm (.177")



# Series SW

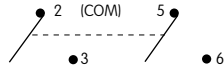
## High Capacity Rocker Switches

### DOUBLE POLE WITH SCREW LUG

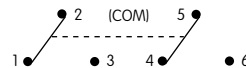
Model	Approvals	Pole	Rocker Position/Connected Terminals						Electrical Capacity					
			Down		Center	Up		Resistive			Inductive			
			ON	2-3 5-6	NONE	OFF	—	AC 125V	AC 250V	DC 30V	DC 125V	AC 125V PF 0.6	AC 250V PF 0.6	
SW3821		DPST	ON	2-3 5-6	NONE	OFF	—	30A	30A	30A	1A	30A	15A	
SW3822		DPDT	ON	2-3 5-6	NONE	ON	2-1 5-4	30A	30A	30A	1A	30A	15A	
SW3823		DPDT	ON	2-3 5-6	OFF	ON	2-1 5-4	30A	30A	30A	1A	30A	15A	
SW3821D		DPST	ON	2-3 5-6	NONE	OFF	—	—	—	30A	15A	—	—	
SW3822D		DPDT	ON	2-3 5-6	NONE	ON	2-1 5-4	—	—	30A	15A	—	—	
SW3823D		DPDT	ON	2-3 5-6	OFF	ON	2-1 5-4	—	—	30A	15A	—	—	

Throw & Schematic:

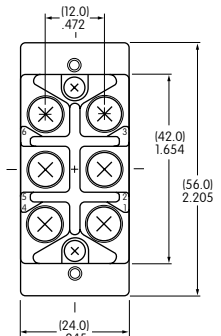
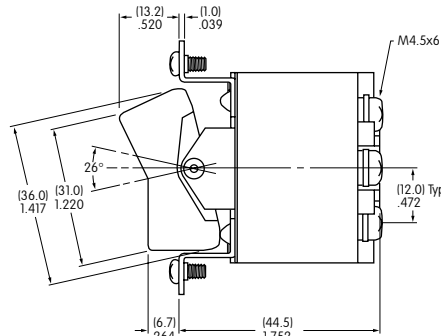
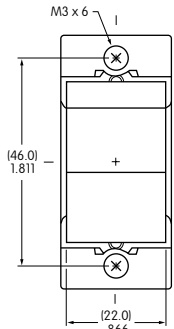
DPST



DPDT



Note: Terminal numbers are on the switch.



SW3822

SW3821 & SW3821D do not have terminals 1 & 4.

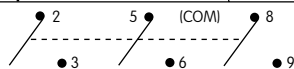
Maximum Effective Panel Thickness 4.5mm (.177")  
Panel cutout shown below

### THREE POLE WITH SCREW LUG

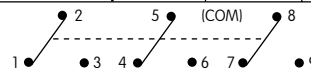
Model	Approvals	Pole	Rocker Position/Connected Terminals						Electrical Capacity					
			Down		Center	Up		Resistive			Inductive			
			ON	2-3 5-6 8-9	NONE	OFF	—	AC 125V	AC 250V	DC 30V	DC 125V	AC 125V PF 0.6	AC 250V PF 0.6	
SW3831		3PST	ON	2-3 5-6 8-9	NONE	OFF	—	30A	30A	30A	1A	30A	15A	
SW3832		3PDT	ON	2-3 5-6 8-9	NONE	ON	2-1 5-4 8-7	30A	30A	30A	1A	30A	15A	
SW3833		3PDT	ON	2-3 5-6 8-9	OFF	ON	2-1 5-4 8-7	30A	30A	30A	1A	30A	15A	
SW3831D		3PST	ON	2-3 5-6 8-9	NONE	OFF	—	—	—	30A	15A	—	—	
SW3832D		3PDT	ON	2-3 5-6 8-9	NONE	ON	2-1 5-4 8-7	—	—	30A	15A	—	—	
SW3833D		3PDT	ON	2-3 5-6 8-9	OFF	ON	2-1 5-4 8-7	—	—	30A	15A	—	—	

Throw & Schematic:

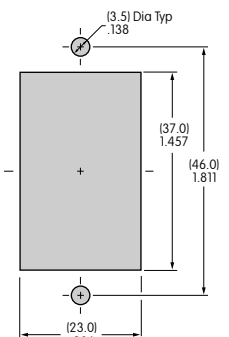
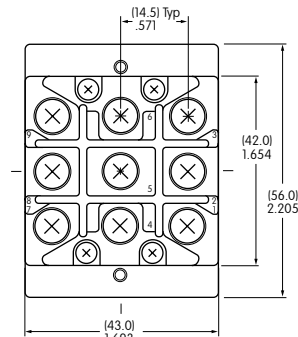
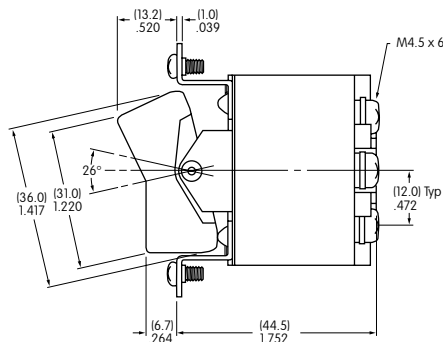
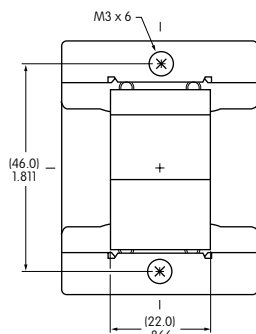
3PST



3PDT



Note: Terminal numbers are on the switch.



SW3831 does not have terminals 1, 4, & 7.

Maximum Effective Panel Thickness 4.5mm (.177").